

User Guide | Guide de l'utilisateur | Guía del Usuario



CD Boombox with Radio
Minichaîne avec lecteur de CD et radio
Boombox de CD con Radio

NS-B2114W

Insignia NS-B2114W

CD Boombox with AM/FM Radio

Contents

Welcome	1
Safety information	2
Features	4
Setting up your boombox	10
Using your boombox	15
Troubleshooting	25
Maintaining	26
Legal notices	28
90-day limited warranty	29
Français	31
Español	63

Welcome

Congratulations on your purchase of a high-quality Insignia product. Your NS-B2114W represents the state of the art in boombox design and is designed for reliable and trouble-free performance.

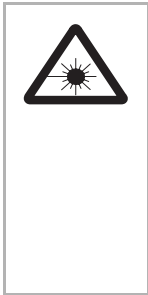
Safety information



This symbol indicates that dangerous voltage constituting a risk of electric shock is present within your boombox. This label is located on the back or bottom of your boombox.



This symbol indicates that there are important operating and maintenance instructions in the literature accompanying your boombox.



Your boombox utilizes a Class 1 laser to read Compact Discs. Your boombox is equipped with safety switches to avoid exposure when the CD door is open and the safety interlocks are defeated. Invisible laser radiation is present when the CD slot's lid is open and the system's interlock has failed or been defeated. You should avoid direct exposure to the laser beam at all times. Do not attempt to defeat or bypass the safety switches.

Warning

To reduce the risk of fire or electric shock, do not expose your boombox to rain or moisture.

Warning

Any use of the controls or an adjustment to the procedures other than those specified herein may result in hazardous radiation.

Warning

To reduce the risk of electric shock, do not remove the cover or back. There are no user-serviceable parts inside. Refer any servicing to qualified service personnel.

Read instructions

Read all the safety and operating instructions before you use your boombox.

Retain instructions

Retain safety and operating instructions for future reference.

Follow warnings and instructions

Follow all warnings on your boombox and in the operating instructions. Follow all operating and use instructions.

Grounding or polarization

Do not defeat the safety purpose of the polarized or grounding-type plug. A polarized plug has two blades with one wider than the other. A grounding type plug has two blades and a grounding prong. The wide blade or grounding prong are provided for your safety. If the plug does not fit, contact an electrician to replace the obsolete outlet.

Placement

When placing your boombox on a lacquered or natural finish, protect your furniture with a cloth or other protective material.

Avoid exposure to direct sunlight, temperature extremes, and moisture.

Ventilation

Slots and openings in the cabinet and the back or bottom are provided for ventilation, reliable operation, and protection from overheating. These openings must not be blocked or covered. Do not block the openings by placing your boombox on a bed, sofa, rug, or other similar surface.

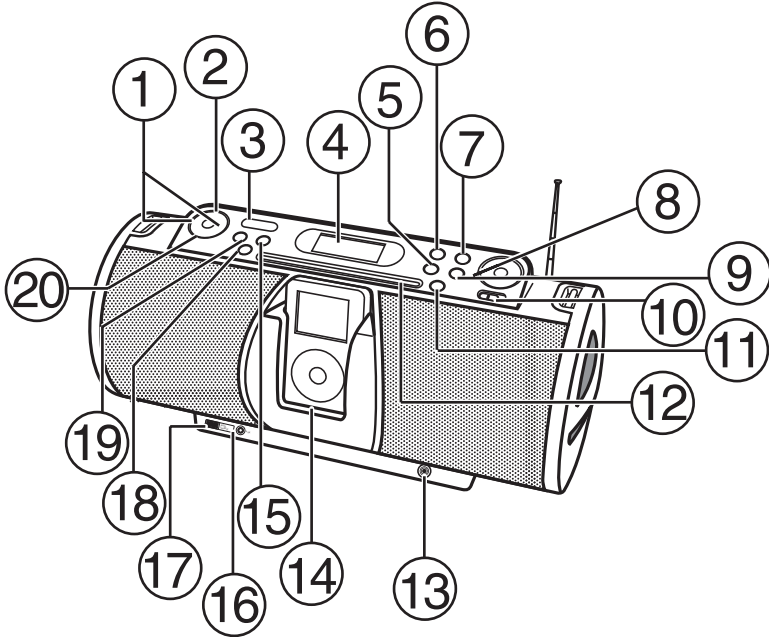
Water and moisture

Do not use your boombox near water. For example, do not use it near a bath tub, wash bowl, kitchen sink, or laundry tub, in a wet basement, or near a swimming pool.





Do not let water splash or drip onto your boombox. Do not place objects containing liquids, such as a vase, on top of your boombox.

Features

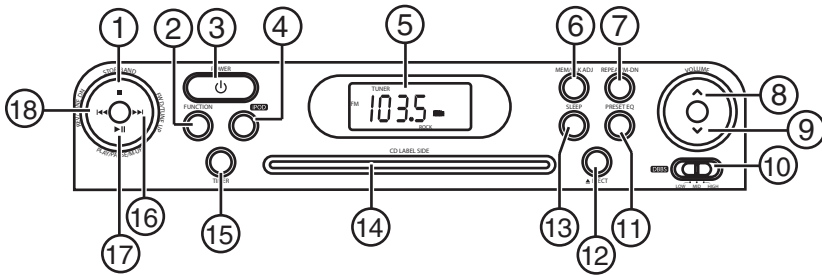
Front








No.	Feature	Description
1	<p>◀◀ REV/TUNE DN control</p> <p>▶▶ FWD/TUNE UP control</p>	<p>When setting the time, press to set the time display format (24-hour or 12-hour).</p> <p>When listening to the radio, press to select a radio station or program a radio station into memory.</p> <p>When playing to a CD or iPod, press to fast-reverse or fast-forward, search for a song, or select a song for a playlist.</p>
2	<p>■ STOP/BAND control</p>	<p>In CD or iPod mode, press to stop playback.</p> <p>In RADIO mode, press to select AM or FM.</p>
3	<p>⏻ POWER button</p>	<p>Press to turn your boombox on and off.</p>
4	<p>LCD display</p>	<p>Display information about your boombox, such as play mode, track information, and status information.</p>

No.	Feature	Description
5	SLEEP button	Press to set the SLEEP timer.
6	MEM/CLK ADJ button	When your boombox is turned off, press to set the time.
7	REPEAT/M-DN button	In CD mode, press to repeat a track or CD. In RADIO mode, press to select a programmed station.
8	VOLUME  VOLUME 	Press to increase or decrease the volume.
9	PRESET EQ (equalizer) button	Press to select an equalizer mode. You can select CLASSIC, JAZZ, ROCK, or POP.
10	DBBS (dynamic bass boost sound) switch	Slide to select the DBBS mode. You can select LOW, MID, or HIGH.
11	 EJECT button	Press to eject the CD.
12	CD slot	Insert a CD into this slot with the label facing the display.
13	Headphone jack	Plug headphones (not included) into this jack.
14	iPod slot	Insert the iPod into this slot with the display facing out.
15	iPOD button	Press to select iPod mode.
16	AUX jack	Plug an external audio device into this jack.
17	iPOD SHUFFLE jack	Plug an iPod shuffle into this jack.
18	TIMER button	Press to set the timer.
19	FUNCTION button	Press to select the play mode. You can select CD to play a CD, RADIO to play the radio, or AUX to play the iPod shuffle.
20	 PLAY/PAUSE/M-UP control	In CD mode, press to start or pause playback. In RADIO mode, press to select a programmed station.

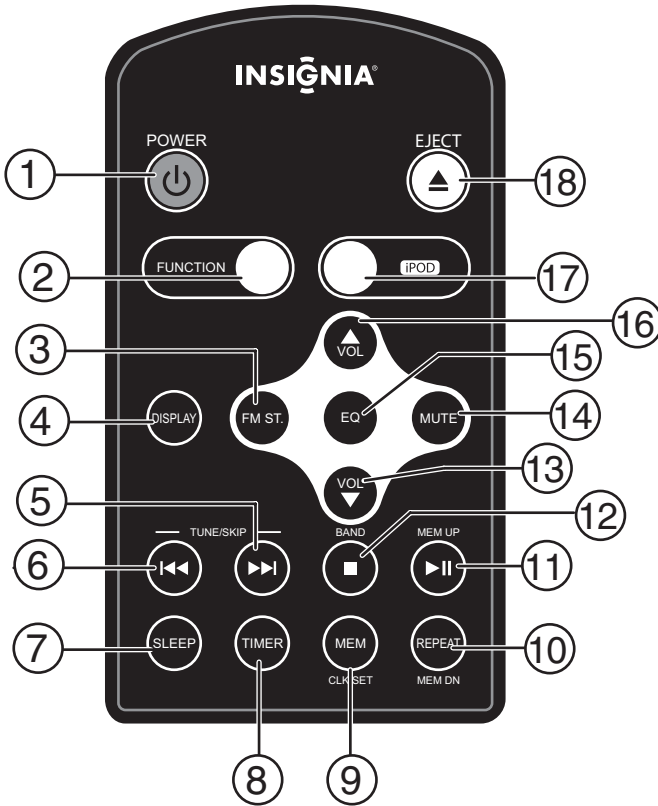
Top panel










No.	Component	Description
1	■ STOP/BAND	In CD or iPod mode, press to stop playback. In RADIO mode, press to select AM or FM.
2	FUNCTION	Press to select the play mode. You can select CD to play a CD, RADIO to play the radio, or AUX to play the iPod.
3	⏻ POWER	Press to turn your boombox on and off.
4	iPOD	Press to select iPod mode.
5	LCD display	Display information about your boombox, such as play mode, track information, and status information.
6	MEM/CLK ADJ	When your boombox is turned off, press to set the time.
7	REPEAT/M-DN	In CD mode, press to repeat a track or CD. In RADIO mode, press to select a programmed station.
8	VOLUME up ▲	Press to increase the volume.
9	VOLUME down ▼	Press to decrease the volume.
10	DBBS	Slide to select the DBBS mode. You can select LOW, MID, or HIGH.
11	PRESET EQ	In RADIO mode, press to program a radio station into memory. In CD mode, press to select an equalizer mode. You can select CLASSIC, JAZZ, ROCK, or POP.
12	▲ EJECT	Press to eject the CD.

No.	Component	Description
13	SLEEP	Press to set the SLEEP timer.
14	CD slot	Insert a CD into this slot with the label facing the display.
15	TIMER	Press to set the timer.
16	  FWD/TUNE UP	<p>When setting the time, press to set the time display format (24-hour or 12-hour).</p> <p>When listening to the radio, press to select a radio station or program a radio station into memory.</p> <p>When playing to a CD or iPod, press to fast-forward, search for a song, or select a song for a playlist.</p>
17	 PLAY/PAUSE/M-UP	Press to start or pause CD or iPod playback.
18	  REV/TUNE DN	<p>When setting the time, press to set the time display format (24-hour or 12-hour).</p> <p>When listening to the radio, press to select a radio station or program a radio station into memory.</p> <p>When playing to a CD or iPod, press to fast-reverse, search for a song, or select a song for a playlist.</p>

Remote control

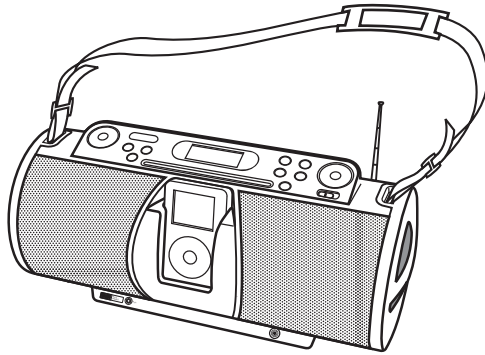


No.	Button	Description
1	POWER	Press to turn your boombox on and off.
2	FUNCTION	Press to select the play mode. You can select CD to play a CD, RADIO to play the radio, or AUX to play the iPod.
3	FM ST.	Press to select the FM mode. You can select stereo or mono.
4	DISPLAY	In RADIO mode, press to display the time.

No.	Button	Description
5	 TUNE/SKIP	When setting the time, press to set the time display format (24-hour or 12-hour). When listening to the radio, press to select a radio station or program a radio station into memory. When playing to a CD or iPod, press to fast-forward, search for a song, or select a song for a playlist.
6	 TUNE/SKIP	When setting the time, press to set the time display format (24-hour or 12-hour). When listening to the radio, press to select a radio station or program a radio station into memory. When playing to a CD or iPod, press to fast-reverse, search for a song, or select a song for a playlist.
7	SLEEP	Press to set the SLEEP timer.
8	TIMER	Press to set the timer.
9	MEM/CLK SET	When your boombox is turned off, press to set the time.
10	REPEAT/MEM DN	In CD mode, press to repeat a track or CD. In RADIO mode, press to select a programmed station.
11	 MEM UP	Press to start or pause CD or iPod playback.
12	 BAND	In CD or iPod mode, press to stop playback. In RADIO mode, press to select AM or FM.
13	 VOL	Press to decrease the volume.
14	MUTE	Press to mute the sound. Press again to restore the sound.
15	EQ	Press to select the equalizer mode. You can select CLASSIC, JAZZ, ROCK or POP.
16	 VOL	Press to increase the volume.
17	iPOD	Press to select iPod mode.
18	 EJECT	Press to eject the CD.

Attaching the shoulder strap

Attach the shoulder strap as shown in the following illustration:

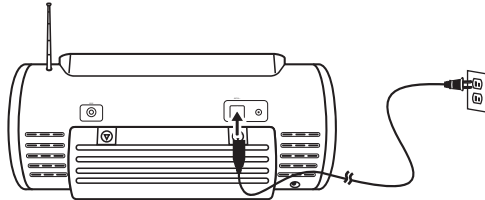


Setting up your boombox

Connecting the AC power cord

To connect the AC power cord:

- 1 Plug the power cord into the AC IN jack on the back of your boombox.



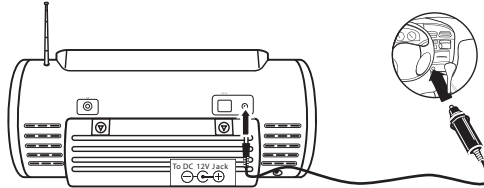
- 2 Plug the other end of the power cord into a 120V AC/60 HZ power outlet.

Connecting the DC power cord

You can use the DC power cord (not included) to connect your boombox to an automobile cigarette lighter or power outlet.

To connect the DC power cord:

- 1 Plug the power cord into the DC IN jack on the back of your boombox.

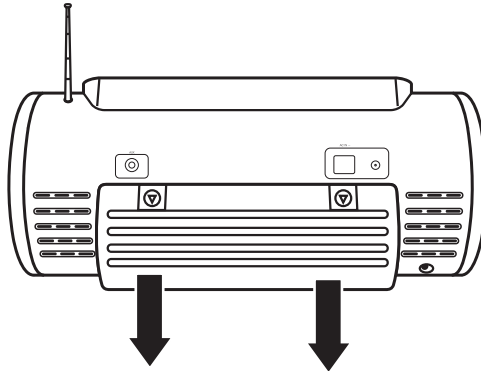


- 2 Plug the other end of the power cord into an automobile cigarette lighter or power outlet.

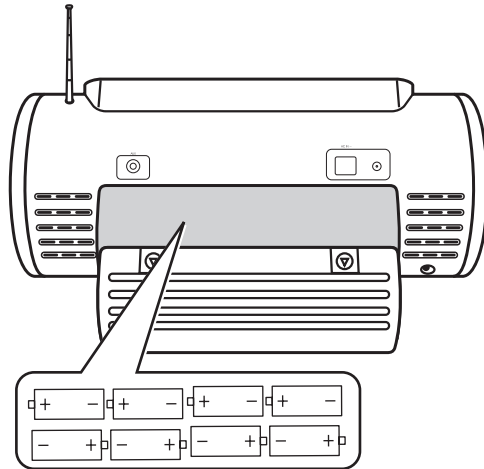
Installing batteries

To install batteries:

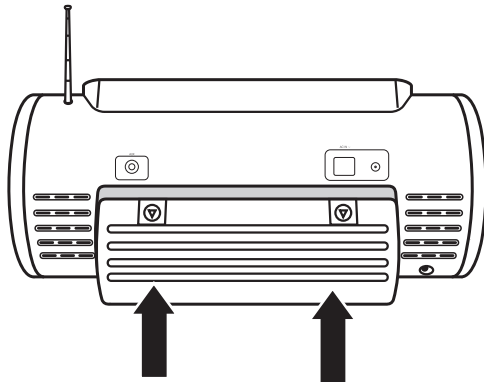
- 1 Make sure that power cord is unplugged.
- 2 Remove the battery compartment cover.



- 3** Insert eight type D batteries (not included) into the battery compartment. Make sure that you align the + and – symbols on the batteries with the + and – symbols inside the battery compartment.



- 4** Replace the battery compartment cover.



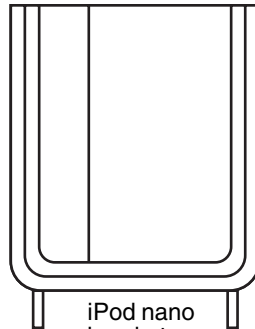
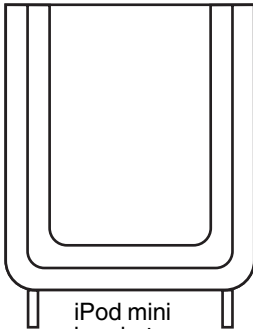
Connecting an iPod

You can connect an iPod (not included) to your boombox so you can listen to the songs stored on your iPod.

iPod Mini and iPod nano

To connect an iPod Mini or iPod nano:

- 1 Make sure that your boombox is turned off.
- 2 Slide the iPod bracket into the iPod slot on your boombox.

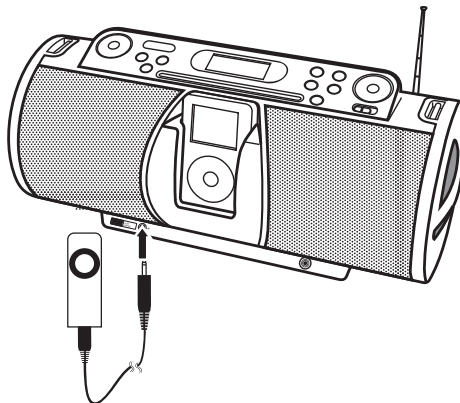


- 3 Insert the iPod into the iPod bracket with the display facing out.

iPod shuffle

To connect the iPod shuffle:

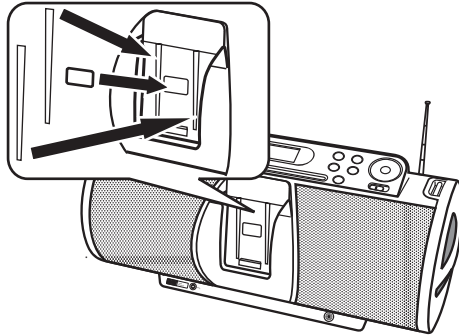
- 1 Make sure that your boombox is turned off.
- 2 Plug the iPod shuffle into the iPod shuffle jack on the front of your boombox.



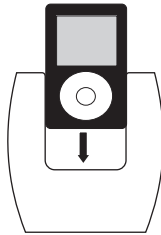
All other iPods, including video and photo

To connect the iPod:

- 1** Make sure that your boombox is turned off.
- 2** Peel the backing off the back of the rubber bracket cushions.
- 3** Place the square cushion in the center of the iPod slot, then place a long cushion on each of the rails in the iPod slot.



- 4** Insert the iPod into the iPod bracket with the display facing out.



For information about listening to the iPod, see “Listening to all other audio iPods” on page 22.

Connecting headphones

Warning

Listening to music with the volume too loud can damage your hearing. Before you connect headphones, turn the volume down. After you put on the headphones, gradually increase the volume to a comfortable level.


To connect headphones:

- Plug the headphones (not included) into the headphone jack on the front of your boombox.

Using your boombox

Turning your boombox on and off

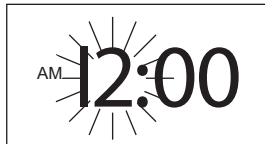
To turn your boombox on and off:

- Press the **POWER**  button on your boombox or on the remote control.

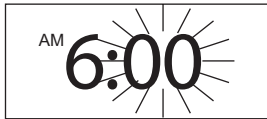
Setting the time

To set the time:

- 1 Make sure that your boombox is turned off.
- 2 Press and hold the **MEM/CLOCK ADJ** button on your boombox or the **MEN/CLK SET** button on your remote control. When 12 appears on the display, release the button.
- 3 Press the **I◀◀** or **▶▶I** button on your boombox or remote control to select the time display format (24-hour or 12-hour), then press the **MEM/CLOCK ADJ** button on your boombox or the **MEN/CLK SET** button on your remote control. **The hour flashes on the display.**



- 4 Press the **◀◀** or **▶▶** button on your boombox or remote control to select the hour, then press the **MEM/CLOCK ADJ** button on your boombox or the **MEN/CLK SET** button on your remote control. **The minute flashes on the display.**



- 5 Press the **◀◀** or **▶▶** button on your boombox or remote control to select the minute, then press the **MEM/CLOCK ADJ** button on your boombox or the **MEN/CLK SET** button on your remote control.

Listening to the radio

To listen to the radio:

- 1 Make sure that your boombox is turned on.
- 2 Press the **FUNCTION** button on your boombox or remote control to select RADIO. Radio station information appears on the display with RADIO is selected.
- 3 Press the **■** button on your boombox or remote control to select AM or FM. AM or FM appears on the display.
- 4 Press the **◀◀** or **▶▶** button on your boombox or remote control to select a radio station. When you release the button, your boombox tunes to the next station.
- 5 If necessary, press the **VOLUME** up or down buttons on your boombox or remote control to adjust the volume.
- 6 (Optional) Press the **PRESET EQ** button on your boombox or the **EQ** button on your remote control to select the equalizer mode. You can select CLASSIC, JAZZ, ROCK, or POP. The equalizer mode you select appears on the display.

Improving reception

To improve radio reception:

- AM reception—Rotate your boombox until the signal is clear.
- FM reception—Extend the FM antenna, then rotate it until the signal is clear.

Programming radio stations

You can program 10 FM and 10 AM stations into memory.

To program a radio station:

- 1 While the radio is playing, press the **◀◀** or **▶▶** button on your boombox or remote control to select a radio station.
- 2 Press and hold the **MEM/CLK ADJ** button on your boombox or the **MEM/CLK SET** button on your remote control. When P01 appears on the display, release the button.
- 3 Press the **◀◀** or **▶▶** button on your boombox or remote control to select the number you want to assign to the station you selected.
- 4 Press the **MEM/CLK ADJ** button on your boombox or the **MEM/CLK SET** button on the remote control to save your setting.
- 5 Repeat Step 1 through Step 4 to program additional stations.

Listening to a programmed station

To listen to a programmed station:

- Press the **▶||** or **REPEAT/M-DN** button on your boombox or the **▶||** or **REPEAT/MEM DN** button on your remote control one or more times to select the number of the programmed station you want to listen to. The number you assigned to the station appears on the display.

Listening to a CD

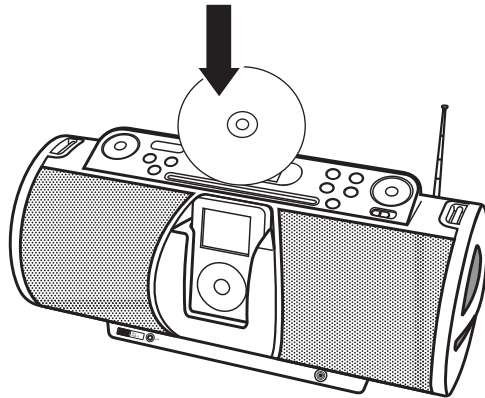
Note

In addition to audio CDs, your boombox can play CD-Rs and CD-RWs. A CD-R or CD-RW must be finalized before you can play it.

To play a CD:

- 1 Make sure that your boombox is turned on.
- 2 Press the **FUNCTION** button on your boombox or remote control to select CD. -- appears on the display.

- 3 Insert a CD, with the label facing the display, into the CD slot.



- 4 Press the ►|| button on your boombox or remote control to start playback.
- 5 If necessary, press the **VOLUME** up or down button on your boombox or remote control to adjust the volume.
- 6 (Optional) Press the **PRESET EQ** button on your boombox or the **EQ** button on the remote control to select the equalizer mode. You can select **CLASSIC**, **JAZZ**, **ROCK**, or **POP**. The equalizer setting you select appears on the display.
- 7 Press the ■ button on your boombox or remote control to stop playback.
- 8 Press the ▲ button on your boombox or remote control to remove the CD.

Controlling CD playback

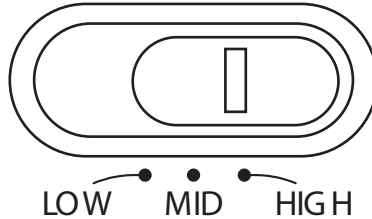
To control CD playback:

- To pause playback, press the ►|| button on your boombox or remote control. To resume playback, press this button again.
- To skip to the next track, press the ►►| button on your boombox or remote control. To skip to the previous track, press the |◄◄ button on your boombox or remote control.
- To search forward through the current song, press and hold the ►►| button on your boombox or remote control. To search backward through the current song, press and hold the |◄◄ button on your boombox or remote control.

Adjusting the bass

To adjust the bass:

- Slide the **DBBS** switch to the position you want. You can select LOW, MID, or HIGH.



Repeating a single track or an entire CD

To repeat a single track:

- While the track is playing, press the **REPEAT/M-DN** button on your boombox or remote control once. REP appears on the display.

To repeat an entire CD:

- While the CD is playing, press the **REPEAT/M-DN** button on your boombox or remote control twice. REP ALL appears on the display.

To cancel the repeat function:

- If you are repeating a track, press the **REPEAT/M-DN** button on your boombox or remote control twice.
- If you are repeating an entire CD, press the **REPEAT/M-DN** button on your boombox or remote control once.

Note

You can use the repeat function when you are playing a playlist.

Programming a playlist

You can program a playback list with as many as 20 tracks or songs.

To program a playlist:

- 1 If your boom box is playing, press the **■** button on your boombox or remote control.
- 2 Press the **MEM/CLK ADJ** button on your boombox or the **MEM/CLK SET** button on the remote control. The PROG indicator flashes on the display.



- 3 Press the **I◀◀** or **▶▶I** button on your boombox or remote control to select a track or song.
- 4 Press the **MEM/CLK ADJ** button on your boombox or the **MEM/CLK SET** button on the remote control to store your selection.
- 5 Repeat Step 2 through Step 4 to add additional tracks or songs to your playlist.
- 6 Press the **▶||** button on your boombox or remote control to start playback.

Note

You can edit your playlist or add tracks or songs to your play list by following the steps for programming a playlist.

To cancel the playlist:

- Select another function.
- Or
- Eject the CD.
- Or
- Turn off your boombox.

Setting the timer

To set the timer:

- 1 Press the **TIMER** button on your boombox or remote control. **TIMER ON** appears on the display.



- 2 Press and hold the **TIMER** button. When the hour flashes on the display, release the button.



- 3 Press the **⏪** or **⏩** button on your boombox or remote control to select the hour, then press the **TIMER** button. The minute flashes on the display.



- 4 Press the **⏪** or **⏩** button on your boombox or remote control to select the minutes, then press the **TIMER** button.
- 5 To exit the timer mode, repeat Step 3 and 4 to set the timer to **TIMER OFF**, or press the **TIMER** button twice.

Note

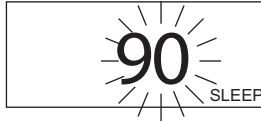
TIMER appears on the display after you set the timer.

- 6 To cancel the timer, press and hold the **TIMER** button until **TIMER** disappears from the display.

Setting the sleep timer

To set the sleep timer:

- 1 Press the **SLEEP** button on your boombox or remote control. **SLEEP** appears on the display.



- 2 Press the **SLEEP** button one or more times to select the amount of time you want your boombox to wait before it automatically turns off. You can select between 90 and 10 minutes.
- 3 To cancel the sleep timer, press and hold the **SLEEP** button until **SLEEP** disappears from the display.

Listening to the iPod shuffle

Note

The iPod shuffle's battery will charge while connected to your boombox.

To listen to the iPod shuffle:

- 1 Make sure that your boombox is turned off.
- 2 Connect the iPod shuffle to your boombox.
- 3 Turn on your boombox.
- 4 Press the **FUNCTION** button on your boombox or remote control one or more times until **AUX** appears on the display.
- 5 Use the controls on the iPod shuffle to control playback.
- 6 If necessary, press the **VOLUME** up or down button on your boombox or remote control to adjust the volume.

Listening to all other audio iPods

To listen to the iPod:

- 1 Make sure that the iPod bracket is installed.
- 2 Make sure that your boombox is turned off, then insert the iPod into the bracket.
- 3 Turn on your boombox.
- 4 Press the **IPOD** button on your boombox or remote control.

- 5 Press the ►|| button on your boombox or remote control to start playback.
- 6 If necessary, press the **VOLUME** up or down button on your boombox or remote control to adjust the volume.
- 7 (Optional) Press the **PRESET EQ** button on your boombox or the **EQ** button on the remote control to select the equalizer mode. You can select **CLASSIC**, **JAZZ**, **ROCK**, or **POP**. The equalizer mode you selected appears on the display.

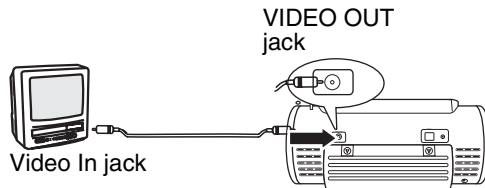
Tip

You use the ►|| and ◀◀ or ▶▶| buttons to control iPod playback.

Viewing iPod video or photos

To view iPod video or photos:

- 1 Make sure that the iPod bracket is NOT installed.
- 2 Make sure that your boombox is turned off, then insert the iPod into the iPod slot. You do not need the bracket for iPod video.
- 3 Plug a video cable (not included) into the VIDEO OUT jack on the back of your boombox.



- 4 Plug the other end of the video cable into the Video In jack on your video device.
- 5 Turn on your boombox.
- 6 Press the **iPOD** button on your boombox.
- 7 Press the ►|| on your boombox or remote control to start playback.

- 8 If necessary, press the **VOLUME** up or down button on your boombox or remote control to adjust the volume.
- 9 (Optional) Press the **PRESET EQ** button on your boombox or the **EQ** button on your remote control to select the equalizer mode. You can select **CLASSIC**, **JAZZ**, **ROCK**, or **POP**. The equalizer mode you selected appears on the display.

Tip

You use the ►|| and ||◀◀ or ►►|| buttons to control iPod playback.

Charging the iPod battery

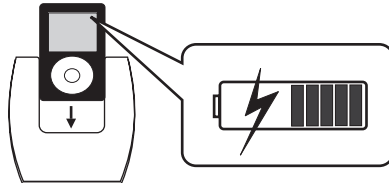
Note

The iPod shuffle's battery will charge while connected to your boombox.

To charge the iPod battery:

- 1 Make sure that you have installed the correct iPod bracket in the iPod slot on your boombox.
- 2 Turn on your iPod.
- 3 Insert the iPod into the bracket with the display facing out.

When you insert the iPod, it goes into standby mode, then turns off. The battery charging indicator appears on the iPod display.



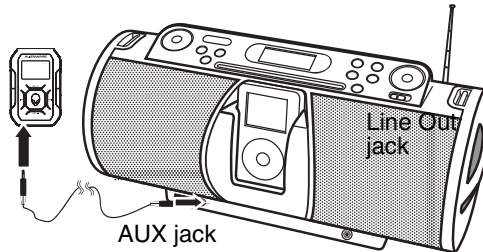
Listening to other portable audio devices

Note

You cannot use the remote control to control playback on an audio device. Use the audio device's controls instead.

To listen to another portable audio device:

- 1 Make sure that your boombox is turned off.
- 2 Plug one end of the auxiliary line-in cord (included) into the AUX jack on the back of your boombox.



- 3 Plug the other end of the cord into the Line Out jack on the audio device.
- 4 Turn on your boombox.
- 5 Press the **FUNCTION** button on your boombox or remote control one or more times until AUX appears on the display.
- 6 Use the controls on the audio device to control playback.

Troubleshooting

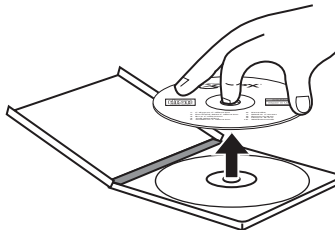
Problem	Possible cause	Possible solution
No sound.	Your boombox does not have power.	Make sure that the power cord is plugged into a power outlet or replace the batteries.
	Playback has not been started.	Press the ► button.
	The play mode is not set correctly.	Press the FUNCTION button to select the correct play mode.
	The VOLUME control is set to minimum.	Increase the volume.

Problem	Possible cause	Possible solution
A CD is inserted, but tracks are not displayed.	The CD is inserted incorrectly.	Make sure that the CD is inserted with the label toward the display.
	The CD is dirty.	Clean the CD. For more information, see "Cleaning CDs" on page 26.
	The CD is scratched or warped.	Use a different CD.
	Moisture has formed inside the CD deck.	Remove the CD and leave the CD door open for about an hour to dry.
Certain sections of a CD do not play normally.	The CD is dirty.	Clean the CD. For more information, see "Cleaning CDs" on page 26.
	The CD is scratched.	Skip over the scratched sections or, replace the CD.

Maintaining

Handling CDs

- Remove the CD from the case by holding it at the edges while pressing down on the center hole lightly.



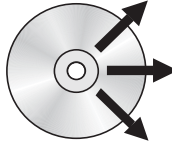
- Do not touch the shiny surface of the CD or bend the CD.
- Place the CD into the tray with the label facing up.

Cleaning CDs

A dirty CD may not play correctly.

To clean a CD:

- With a soft cloth, wipe the CD in a straight line from center to edge.



Caution

Do not use any solvent, such as record sprays, thinner, or benzene, to clean a CD.

Cleaning your boombox

To clean your boombox, follow these guidelines:

- Use a soft, clean cloth moistened with plain, luke-warm water to clean the exterior of your boombox.
- Never use solvents such as benzene or other strong chemical cleaners since these could damage your boombox's finish.
- Do not let liquid drip into the inside of your boombox.

Legal notices

FCC Part 15

This device complies with Part 15 of the FCC Rules. Operation of this product is subject to the following two conditions: (1) this device may not cause harmful interference, and (2) this device must accept any interference received, including interference that may cause undesired operation.

This equipment has been tested and found to comply within the limits for a class B digital device, pursuant to Part 15 of the FCC Rules. These limits are designed to provide reasonable protection against harmful interference in a residential installation. This equipment generates, uses, and can radiate radio frequency energy and, if not installed and used in accordance with the instructions, may cause harmful interference to radio communications. However, there is no guarantee that interference will not occur in a particular installation. If this equipment does cause harmful interference to radio or television reception, which can be determined by turning the equipment off and on, the user is encouraged to try to correct the interference by one or more of the following measures:

- Reorient or relocate the receiving antenna.
- Increase the separation between the equipment and receiver.
- Connect the equipment into an outlet on a circuit different from that to which the receiver is connected.
- Consult the dealer or an experienced technician for help.

FCC warning

Changes or modifications not expressly approved by the party responsible for compliance with the FCC Rules could void the user's authority to operate this equipment.

Canada ICES-003 statement

This Class B digital apparatus complies with Canadian ICES-003.

Copyright

© 2007 Insignia. Insignia and the Insignia logo are trademarks of Best Buy Enterprise Services, Inc. Other brands and product names are trademarks or registered trademarks of their respective holders. Specifications and features are subject to change without notice or obligation.

For service and support call (877) 467-4289.

iPod is a trademark of Apple Computer, Inc. registered in the U.S. and other countries.

90-day limited warranty

Insignia Products (“Insignia”) warrants to you, the original purchaser of this new **NS-B2114W** (“Product”), that the Product shall be free of defects in the original manufacture of the material or workmanship for a period of 90 days from the date of your purchase of the Product (“Warranty Period”). This Product must be purchased from an authorized dealer of Insignia brand products and packaged with this warranty statement. This warranty does not cover refurbished Product. If you notify Insignia during the Warranty Period of a defect covered by this warranty that requires service, terms of this warranty apply.

How long does the coverage last?

The Warranty Period lasts for 90 days from the date you purchased the Product. The purchase date is printed on the receipt you received with the Product.

What does this warranty cover?

During the Warranty Period, if the original manufacture of the material or workmanship of the Product is determined to be defective by an authorized Insignia repair center or store personnel, Insignia will (at its sole option): (1) repair the Product with new or rebuilt parts; or (2) replace the Product at no charge with new or rebuilt comparable products or parts. Products and parts replaced under this warranty become the property of Insignia and are not returned to you. If service of Products or parts are required after the Warranty Period expires, you must pay all labor and parts charges. This warranty lasts as long as you own your Insignia Product during the Warranty Period. Warranty coverage terminates if you sell or otherwise transfer the Product.

How to obtain warranty service?

If you purchased the Product at a retail store location, take your original receipt and the Product to the store you purchased it from. Make sure that you place the Product in its original packaging or packaging that provides the same amount of protection as the original packaging. If you purchased the Product from an online web site, mail your original receipt and the Product to the address listed on the web site. Make sure that you put the Product in its original packaging or packaging that provides the same amount of protection as the original packaging.

Where is the warranty valid?

This warranty is valid only to the original purchaser of the product in the United States and Canada.

What does the warranty not cover?

This warranty does not cover:

- Customer instruction
- Installation
- Set up adjustments
- Cosmetic damage
- Damage due to acts of God, such as lightning strikes
- Accident
- Misuse
- Abuse
- Negligence
- Commercial use
- Modification of any part of the Product, including the antenna

This warranty also does not cover:

- Damage due to incorrect operation or maintenance
- Connection to an incorrect voltage supply
- Attempted repair by anyone other than a facility authorized by Insignia to service the Product
- Products sold as is or with all faults
- Consumables, such as fuses or batteries
- Products where the factory applied serial number has been altered or removed

REPAIR REPLACEMENT AS PROVIDED UNDER THIS WARRANTY IS YOUR EXCLUSIVE REMEDY. INSIGNIA SHALL NOT BE LIABLE FOR ANY INCIDENTAL OR CONSEQUENTIAL DAMAGES FOR THE BREACH OF ANY EXPRESS OR IMPLIED WARRANTY ON THIS PRODUCT, INCLUDING, BUT NOT LIMITED TO, LOST DATA, LOSS OF USE OF YOUR PRODUCT, LOST BUSINESS OR LOST PROFITS. INSIGNIA PRODUCTS MAKES NO OTHER EXPRESS WARRANTIES WITH RESPECT TO THE PRODUCT, ALL EXPRESS AND IMPLIED WARRANTIES FOR THE PRODUCT, INCLUDING, BUT NOT LIMITED TO, ANY IMPLIED WARRANTIES OF AND CONDITIONS OF MERCHANTABILITY AND FITNESS FOR A PARTICULAR PURPOSE, ARE LIMITED IN DURATION TO THE WARRANTY PERIOD SET FORTH ABOVE AND NO WARRANTIES, WHETHER EXPRESS OR IMPLIED, WILL APPLY AFTER THE WARRANTY PERIOD. SOME STATES, PROVINCES AND JURISDICTIONS DO NOT ALLOW LIMITATIONS ON HOW LONG AN IMPLIED WARRANTY LASTS, SO THE ABOVE LIMITATION MAY NOT APPLY TO YOU. THIS WARRANTY GIVES YOU SPECIFIC LEGAL RIGHTS, AND YOU MAY ALSO HAVE OTHER RIGHTS, WHICH VARY FROM STATE TO STATE OR PROVINCE TO PROVINCE.

Contact Insignia:

For customer service please call 1-877-467-4289

www.insignia-products.com

INSIGNIA[™] is a trademark of Best Buy Enterprise Services, Inc.

Distributed by Best Buy Purchasing, LLC.

Insignia, 7601 Penn Avenue South, Richfield, Minnesota, U.S.A.

Insignia NS-B2114W

Minichaîne avec lecteur de CD et radio AM/FM

Table des matières

Bienvenue	31
Informations sur la sécurité	32
Fonctionnalités	34
Installation de la minichaîne	41
Fonctionnement de la minichaîne	46
Problèmes et solutions	57
Entretien	58
Avis juridiques	60
Garantie limitée de 90 jours	61

Bienvenue

Félicitations d'avoir acheté ce produit Insignia de haute qualité. Le modèle NS-B2114W représente la dernière avancée technologique dans la conception de minichaînes portatives et a été conçu pour des performances et une fiabilité exceptionnelles.

Informations sur la sécurité



Ce symbole indique qu'une tension dangereuse, constituant un risque de choc électrique, est présente dans cet appareil. Cette étiquette est située au dos ou en dessous de l'appareil.



Ce symbole indique que d'importantes instructions concernant le fonctionnement et la maintenance figurent dans la documentation qui accompagne cet appareil.



Ce produit utilise un laser de classe 1 pour lire les disques compacts. Cette minichaîne avec lecteur de CD est équipée d'interrupteurs de sécurité pour éviter toute exposition lorsque le couvercle du CD est ouvert et que les verrous de sécurité ont été contournés. Un rayonnement laser invisible est émis lorsque le couvercle de la fente d'insertion de CD est ouvert et que le dispositif de verrouillage du système est défaillant ou a été neutralisé. Éviter toute exposition directe au rayonnement laser. Ne pas neutraliser ou contourner les interrupteurs de sécurité.

Avertissement

Afin de réduire le risque d'incendie et de choc électrique, ne pas exposer cet appareil à la pluie ou l'humidité.

Avertissement

L'utilisation de commandes ou la modification des procédures autres que celles spécifiées dans le présent manuel pourrait entraîner une exposition dangereuse aux radiations.

Avertissement

Afin de réduire le risque de choc électrique, ne pas enlever le couvercle ou le panneau arrière. Aucune pièce interne ne peut être réparée par l'utilisateur. Confier tout entretien à du personnel qualifié.

Lire les instructions

Lire toutes les instructions de sécurité et de fonctionnement avant d'utiliser cet appareil.

Conserver les instructions

Conserver les instructions de sécurité et de fonctionnement pour toute référence ultérieure.

Respecter les avertissements et les instructions

Respecter tous les avertissements sur cet appareil ainsi que dans les instructions d'utilisation. Toutes les instructions d'utilisation et de fonctionnement doivent être observées.

Mise à la terre ou polarisation

Ne pas chercher à modifier le dispositif de sécurité de la prise polarisée ou de type mise à la terre. Une prise polarisée comporte deux plots, un plus large que l'autre. Une prise de type mise à la terre est composée de deux plots et d'un troisième de mise à la terre. Ce troisième plot, large ou rond a été prévu pour la sécurité de l'utilisateur. Si la fiche ne s'adapte toujours pas à la prise secteur, contacter un électricien afin qu'il remplace la prise inadéquate.

Emplacement

Si l'appareil est placé sur une surface vernie ou sur une surface à fini naturel, protéger la surface à l'aide d'un chiffon ou de tout autre matériau protecteur.

Éviter toute exposition à la lumière solaire directe, à des températures extrêmes et à l'humidité.

Ventilation

Les fentes et ouvertures au dos et au bas du boîtier sont prévues pour la ventilation, pour assurer un fonctionnement fiable de l'appareil et le protéger contre toute surchauffe. Ces ouvertures ne doivent être ni bloquées ni obstruées. Elles ne doivent jamais être bloquées en installant l'appareil sur un lit, un sofa, un tapis ou toute autre surface semblable.

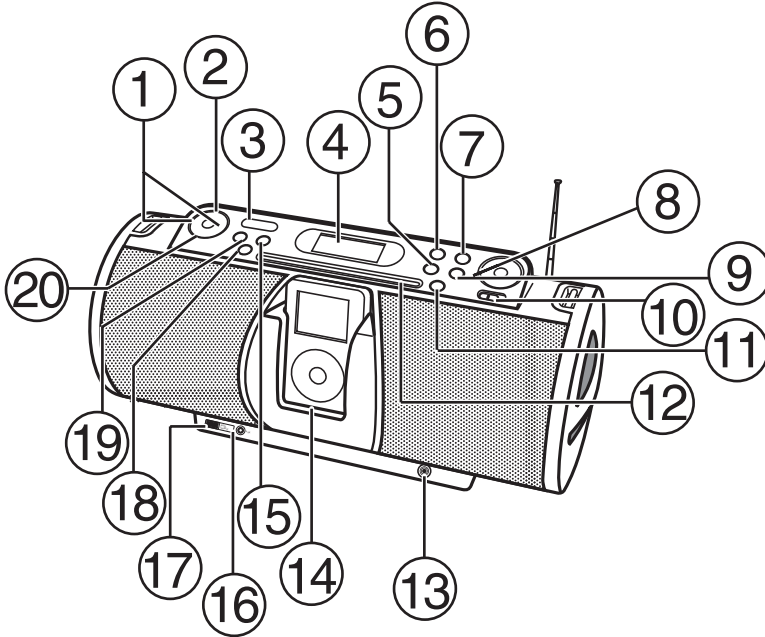
Eau et humidité

Ne pas utiliser cet appareil près de l'eau. Par exemple près d'une baignoire, un lavabo, un évier ou un baquet à linge, dans un sous-sol humide ou près d'une piscine.

Éviter les éclaboussures et les gouttes d'eau sur l'appareil. Ne pas placer d'objets tels qu'un vase rempli de liquide sur l'appareil.

Fonctionnalités

Face avant

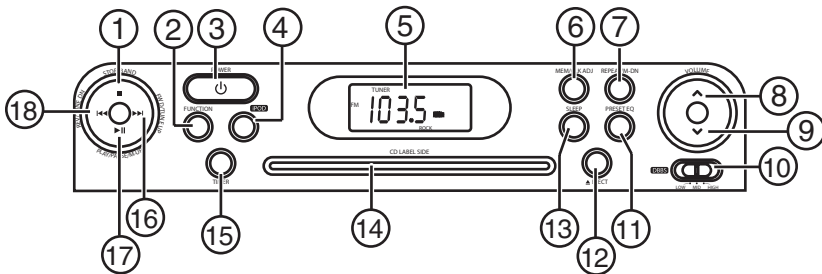


N°	Fonctionnalité	Description
1	<p>◀◀ Commande RETOUR RAPIDE/SYNTONISATION DÉCROISSANTE.</p> <p>▶▶ Commande AVANCE RAPIDE/SYNTONISATION CROISSANTE.</p>	<p>Lors du réglage de l'heure, appuyer pour choisir le format d'affichage de l'heure (24 heures ou 12 heures).</p> <p>Lors de l'écoute de la radio, permet de sélectionner une station de radio ou de mémoriser une station de radio.</p> <p>Lors de la lecture d'un CD ou d'un iPod, permet d'effectuer un retour rapide ou une avance rapide, de chercher une chanson ou de sélectionner une chanson pour une liste de lecture.</p>
2	■ Commande ARRÊT/BANDE	<p>En mode CD ou iPod, permet d'arrêter la lecture.</p> <p>En mode RADIO, permet de sélectionner AM ou FM.</p>
3	⏻ Touche MARCHÉ/ARRÊT	Permet d'allumer et d'éteindre l'appareil.

N°	Fonctionnalité	Description
4	Écran ACL	Affiche des informations relatives à l'appareil, telles que le mode de lecture, des informations relatives aux pistes et des informations d'état.
5	Touche d'ARRÊT DIFFÉRÉ	Permet de configurer l'arrêt différé de l'appareil.
6	Touche MÉMORISATION/ RÉGLAGE DE L'HEURE	Quand l'appareil est hors tension, permet de régler l'heure.
7	Touche RÉPÉTER/ MÉMORISATION PRÉCÉDENTE	En mode CD, permet de répéter une piste ou un CD. En mode RADIO, permet de sélectionner une station mémorisée.
8	VOLUME ↗ VOLUME ↘	Permet d'augmenter ou de diminuer le volume sonore.
9	Touche ÉGALISATEUR PRÉRÉGLÉ	Permet de sélectionner un mode d'égalisation. Sélectionner au choix CLASSIC (Classique), JAZZ, ROCK ou POP.
10	Commutateur DBBS (amplification des graves)	Faire glisser pour sélectionner le mode DBBS. Il est possible de sélectionner LOW, MID ou HIGH (basse, moyenne ou élevée).
11	▲ Touche ÉJECTER	Permet d'éjecter le CD.
12	Fente de CD	Insérer un CD dans cette fente en orientant l'étiquette vers l'écran.
13	Prise de casque d'écoute	Brancher le casque d'écoute (non inclus) sur cette prise.
14	Logement pour l'iPod	Insérer l'iPod dans ce logement en orientant l'écran vers l'extérieur.
15	Touche iPod	Pour sélectionner le mode iPod.
16	Prise AUX	Brancher un périphérique audio externe sur cette prise.
17	Prise IPOD SHUFFLE	Brancher un iPod shuffle sur cette prise.
18	Touche TEMPORISATEUR	Permet de régler le temporisateur.

N°	Fonctionnalité	Description
19	Touche de FONCTION	Permet de sélectionner le mode de lecture. Les options possibles sont : CD (pour écouter un CD), RADIO (pour écouter la radio) ou AUX (pour écouter l'iPod shuffle).
20	▶ Commande LECTURE/PAUSE/MÉMORISATION SUIVANTE	En mode CD, permet de lancer ou d'interrompre momentanément la lecture. En mode RADIO, permet de sélectionner une station mémorisée.

Panneau supérieur

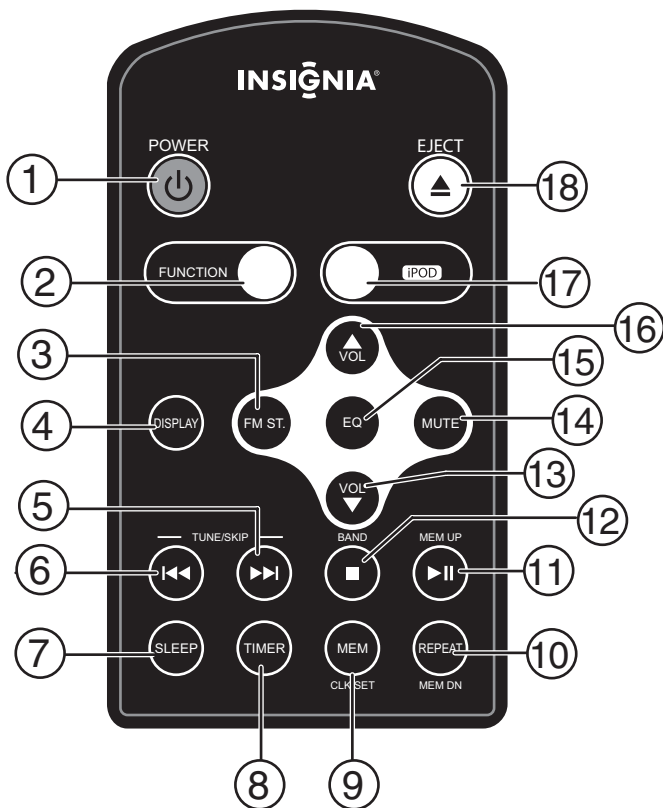


N°	Composant	Description
1	■ ARRÊT/BANDE	En mode CD ou iPod, permet d'arrêter la lecture. En mode RADIO, permet de sélectionner AM ou FM.
2	FONCTION	Permet de sélectionner le mode de lecture. Les options possibles sont : CD (pour écouter un CD), RADIO (pour écouter la radio) ou AUX (pour écouter l'iPod).
3	⏻ MARCHE/ARRÊT	Permet d'allumer et d'éteindre l'appareil.
4	iPOD	Pour sélectionner le mode iPod.
5	Écran ACL	Affiche des informations relatives à l'appareil, telles que le mode de lecture, des informations relatives aux pistes et des informations d'état.
6	MÉMORISATION/RÉGLAGE DE L'HEURE	Quand l'appareil est hors tension, permet de régler l'heure.

N°	Composant	Description
7	RÉPÉTER/MÉMORISATION PRÉCÉDENTE	En mode CD, permet de répéter une piste ou un CD. En mode RADIO, permet de sélectionner une station mémorisée.
8	Augmentation du VOLUME ↗	Permet d'augmenter le volume sonore.
9	Baisse du VOLUME ↘	Permet de diminuer le volume sonore.
10	DBBS	Faire glisser pour sélectionner le mode DBBS. Il est possible de sélectionner LOW, MID ou HIGH (basse, moyenne ou élevée).
11	ÉGALISATEUR PRÉRÉGLÉ	En mode RADIO, permet de mettre en mémoire une station de radio. En mode CD, permet de sélectionner un mode d'égalisation. Sélectionner au choix CLASSIC (Classique), JAZZ, ROCK ou POP.
12	▲ ÉJECTER	Permet d'éjecter le CD.
13	ARRÊT DIFFÉRÉ	Permet de configurer l'arrêt différé de l'appareil.
14	Fente de CD	Insérer un CD dans cette fente en orientant l'étiquette vers l'écran.
15	TEMPORISATEUR	Permet de régler le temporisateur.
16	▶▶▶ AVANCE RAPIDE/ SYNTONISATION CROISSANTE	Lors du réglage de l'heure, permet de choisir le format d'affichage de l'heure (24 heures ou 12 heures). Lors de l'écoute de la radio, permet de sélectionner ou mémoriser une station de radio. Lors de la lecture d'un CD ou d'un iPod, permet d'effectuer une avance rapide, de chercher une chanson ou de sélectionner une chanson pour une liste de lecture.

N°	Composant	Description
17	▶ LECTURE/PAUSE/ MÉMORISATION SUIVANTE	Permet de lancer ou d'interrompre momentanément la lecture d'un CD ou d'un iPod.
18	◀◀ RETOUR RAPIDE/ SYNTONISATION DÉCROISSANTE	Lors du réglage de l'heure, permet de choisir le format d'affichage de l'heure (24 heures ou 12 heures). Lors de l'écoute de la radio, permet de sélectionner ou mémoriser une station de radio. Lors de la lecture d'un CD ou d'un iPod, permet d'effectuer un retour rapide, de rechercher une chanson ou de sélectionner une chanson pour une liste de lecture.

Télécommande



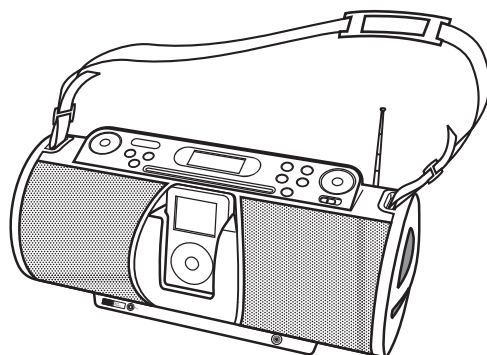
N°	Touche	Description
1	MARCHE/ARRÊT	Permet d'allumer et d'éteindre l'appareil.
2	FONCTION	Permet de sélectionner le mode de lecture. Les options possibles sont : CD (pour écouter un CD), RADIO (pour écouter la radio) ou AUX (pour écouter l'iPod).
3	FM STÉRÉO	Permet de sélectionner le mode FM. Il est possible de sélectionner stéréo ou mono.
4	AFFICHAGE	En mode RADIO, permet d'afficher l'heure.

N°	Touche	Description
5	▶▶ I SYNTONISATION/SAUT	Lors du réglage de l'heure, permet de choisir le format d'affichage de l'heure (24 heures ou 12 heures). Lors de l'écoute de la radio, permet de sélectionner ou mémoriser une station de radio. Lors de la lecture d'un CD ou d'un iPod, permet d'effectuer une avance rapide, de rechercher une chanson ou de sélectionner une chanson pour une liste de lecture.
6	I◀◀ SYNTONISATION/SAUT	Lors du réglage de l'heure, permet de choisir le format d'affichage de l'heure (24 heures ou 12 heures). Lors de l'écoute de la radio, permet de sélectionner ou mémoriser une station de radio. Lors de la lecture d'un CD ou d'un iPod, permet d'effectuer un retour rapide, de rechercher une chanson ou de sélectionner une chanson pour une liste de lecture.
7	ARRÊT DIFFÉRÉ	Permet de configurer l'arrêt différé de l'appareil.
8	TEMPORISATEUR	Permet de régler le temporisateur.
9	MÉMORISATION/RÉGLAGE DE L'HEURE	Quand l'appareil est hors tension, permet de régler l'heure.
10	RÉPÉTER/MÉMORISATION PRÉCÉDENTE	En mode CD, permet de répéter une piste ou un CD. En mode RADIO, permet de sélectionner une station mémorisée.
11	▶ II MÉMORISATION SUIVANTE	Permet de lancer ou d'interrompre momentanément la lecture d'un CD ou d'un iPod.
12	■ BANDE	En mode CD ou iPod, permet d'arrêter la lecture. En mode RADIO, permet de sélectionner AM ou FM.
13	▼ VOL	Permet de diminuer le volume sonore.
14	SOURDINE	Permet de mettre le son en sourdine. Appuyer de nouveau sur cette touche pour rétablir le son.

N°	Touche	Description
15	ÉGALISATION	Permet de sélectionner le mode d'égalisation. Sélectionner au choix CLASSIC (Classique), JAZZ, ROCK ou POP.
16	▲ VOL	Permet d'augmenter le volume sonore.
17	iPOD	Pour sélectionner le mode iPod.
18	▲ ÉJECTER	Permet d'éjecter le CD.

Fixation de la bandoulière

Fixer la bandoulière comme illustré sur le schéma suivant :

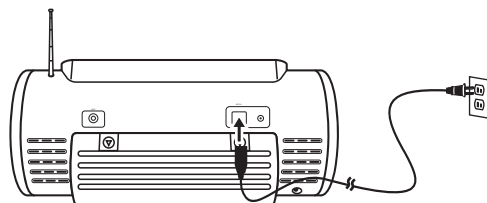


Installation de la minichaîne

Connexion du cordon d'alimentation CA

Pour connecter le cordon d'alimentation CA :

- 1 Brancher le cordon d'alimentation sur la prise d'entrée CA située au dos de l'appareil.



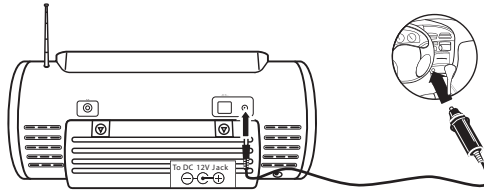
- 2 Brancher l'autre extrémité du cordon d'alimentation sur une prise secteur 120 V CA/60 Hz.

Connexion du cordon d'alimentation CC

Il est possible d'utiliser le cordon d'alimentation CC (non inclus) pour connecter la minichaîne à un allume-cigare ou à une prise électrique d'un véhicule.

Pour connecter le cordon d'alimentation CC :

- 1 Brancher le cordon d'alimentation sur la prise d'entrée CC située au dos de l'appareil.

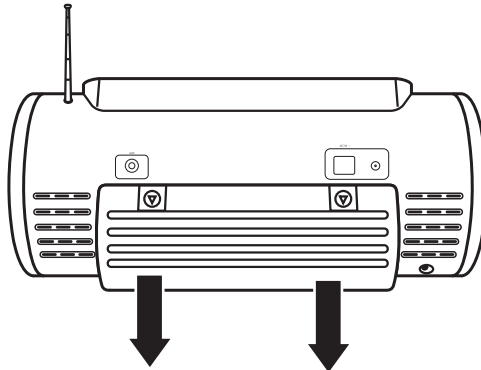


- 2 Brancher l'autre extrémité du cordon d'alimentation sur un allume-cigare ou une prise électrique d'un véhicule.

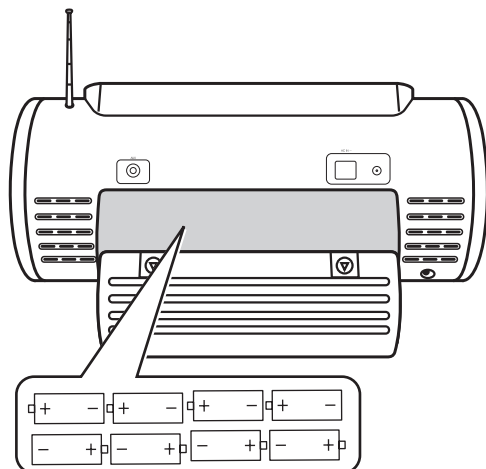
Installation des piles

Pour installer les piles :

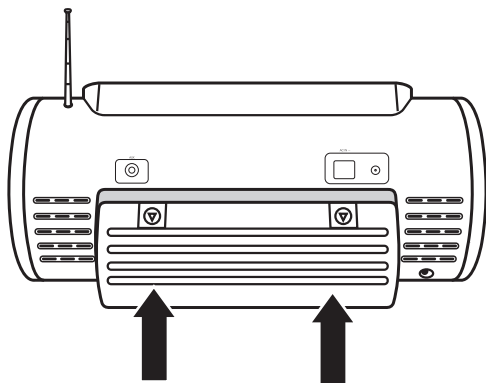
- 1 Vérifier que le cordon d'alimentation est débranché.
- 2 Retirer le couvercle du compartiment des piles.



- 3** Insérer huit piles de type D (non fournies) dans le compartiment. Veiller à ce que les pôles + et – des piles coïncident avec les repères + et – figurant à l'intérieur du compartiment.



- 4** Replacer le couvercle du compartiment des piles.



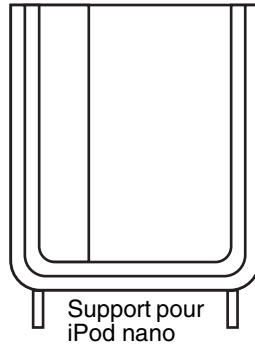
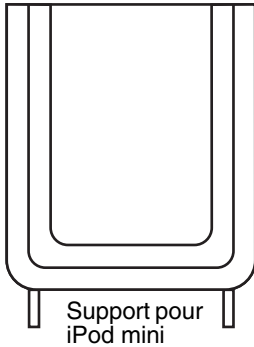
Connexion d'un iPod

Il est possible de connecter un iPod (non inclus) à la minichaîne, afin de pouvoir écouter les chansons enregistrées sur l'iPod.

iPod Mini et iPod nano

Pour connecter un iPod Mini ou un iPod nano :

- 1 Vérifier que la minichaîne est éteinte.
- 2 Glisser le support correspondant à l'iPod dans le logement pour iPod qui se trouve sur la minichaîne.

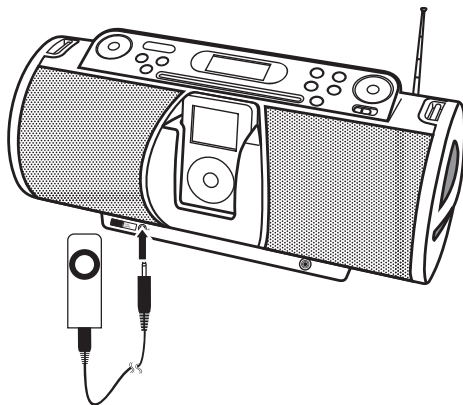


- 3 Insérer l'iPod dans le support de l'iPod en orientant l'écran vers l'extérieur.

iPod shuffle

Pour connecter l'iPod shuffle :

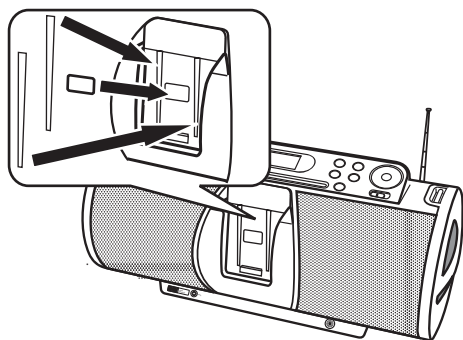
- 1 Vérifier que la minichaîne est éteinte.
- 2 Brancher l'iPod shuffle sur la prise pour iPod shuffle située à l'avant de l'appareil.



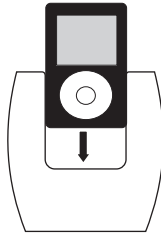
Tous les autres iPod, y compris vidéo et photo

Pour connecter l'iPod :

- 1 Vérifier que la minichaîne est éteinte.
- 2 Enlever le papier au dos des coussinets de support en caoutchouc.
- 3 Placer le coussinet carré au centre du logement de l'iPod, puis placer un coussinet allongé sur chacun des rails se trouvant dans le logement.



- 4 Insérer l'iPod dans le support de l'iPod en orientant l'écran vers l'extérieur.



Pour toute information relative à l'écoute de l'iPod, voir "Écoute de tous les autres iPods audio" voir page 53.

Connexion du casque d'écoute

Avertissement

Écouter de la musique à un volume trop élevé peut endommager l'ouïe. Avant de connecter un casque d'écoute, réduire le volume sonore. Après avoir mis le casque d'écoute sur les oreilles, augmenter progressivement le volume jusqu'à un niveau confortable.

Pour connecter le casque d'écoute :

- Brancher le casque d'écoute (non fourni) sur la prise de casque d'écoute située à l'avant de l'appareil.

Fonctionnement de la minichaîne

Mise en marche et arrêt de la minichaîne

Pour mettre la minichaîne sous et hors tension :

- Appuyer sur la touche **POWER** (Marche/Arrêt)  de la minichaîne ou de la télécommande.

Réglage de l'heure

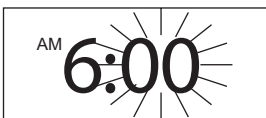
Pour régler l'heure :

- 1 Vérifier que la minichaîne est éteinte.
- 2 Maintenir appuyée **MEM/CLOCK ADJ** (Mémorisation/réglage de l'heure) de la minichaîne ou la touche **MEM/CLK SET** (Mémorisation/réglage de l'heure) de la télécommande. Lorsque 12 s'affiche à l'écran, relâcher la touche.

- Appuyer sur **◀◀** ou **▶▶** de la minichaîne ou de la télécommande pour sélectionner le format d'affichage de l'heure (24 heures ou 12 heures), puis appuyer sur **MEM/CLOCK ADJ** (Mémorisation/réglage de l'heure) de la minichaîne ou sur **MEM/CLK SET** (Mémorisation/réglage de l'heure) de la télécommande. **L'heure clignote à l'écran.**



- Appuyer sur **◀◀** ou **▶▶** de la minichaîne ou de la télécommande pour sélectionner le format d'affichage de l'heure, puis appuyer sur **MEM/CLOCK ADJ** (Mémorisation/réglage de l'heure) de la minichaîne ou sur **MEM/CLK SET** (Mémorisation/réglage de l'heure) de la télécommande. **Les minutes clignotent à l'écran.**



- Appuyer sur **◀◀** ou **▶▶** de la minichaîne ou de la télécommande pour sélectionner les minutes, puis appuyer sur **MEM/CLOCK ADJ** (Mémorisation/réglage de l'heure) de la minichaîne ou sur **MEM/CLK SET** (Mémorisation/réglage de l'heure) de la télécommande.

Écoute de la radio

Pour écouter la radio :

- Vérifier que la minichaîne est allumée.
- Appuyer sur **FUNCTION** (Fonction) de la minichaîne ou de la télécommande pour sélectionner RADIO. Des informations relatives aux stations de radio s'affichent lorsque la RADIO est sélectionnée.
- Appuyer sur **■** de la minichaîne ou de la télécommande pour sélectionner AM ou FM. AM ou FM s'affiche à l'écran.
- Appuyer sur **◀◀** ou **▶▶** de la minichaîne ou de la télécommande pour sélectionner une station de radio. Une fois cette touche relâchée, la minichaîne syntonise la station suivante.
- Si nécessaire, appuyer sur les touches d'augmentation ou de diminution du **VOLUME** de la minichaîne ou de la télécommande pour le régler.

- 6 (En option) Appuyer sur **PRESET EQ** (Égalisateur pré-réglé) de la minichaîne ou sur **EQ** (Égalisation) de la télécommande pour sélectionner le mode d'égalisation. Sélectionner au choix **CLASSIC** (Classique), **JAZZ**, **ROCK** ou **POP**. Le mode d'égalisation sélectionné s'affiche à l'écran.

Amélioration de la réception

Pour améliorer la réception :

- Réception AM : faire pivoter la minichaîne jusqu'à obtention d'un signal clair.
- Réception FM : déployer l'antenne FM puis la faire pivoter jusqu'à obtention d'un signal clair.

Programmation des stations de radio

Il est possible de mémoriser 10 stations FM et 10 stations AM.

Pour mémoriser une station de radio :

- 1 Avec la radio est en marche, appuyer sur **◀◀** ou **▶▶** de la minichaîne ou de la télécommande pour sélectionner une station de radio.
- 2 Maintenir appuyée **MEM/CLK ADJ (Mémorisation/réglage de l'heure) de la minichaîne** ou **MEM/CLK SET (Mémorisation/réglage de l'heure) de la télécommande**. Lorsque P01 s'affiche à l'écran, relâcher la touche.
- 3 Appuyer sur **◀◀** ou **▶▶** de la minichaîne ou de la télécommande pour sélectionner le numéro à affecter à la station sélectionnée.
- 4 Appuyer sur **MEM/CLK ADJ (Mémorisation/réglage de l'heure) de la minichaîne** ou la touche **MEM/CLK SET (Mémorisation/réglage de l'heure) de la télécommande** pour enregistrer le réglage.
- 5 Répéter les étapes 1 à 4 pour programmer d'autres stations.

Écoute d'une station mémorisée

Pour écouter une station mémorisée :

- Appuyer une ou plusieurs fois sur **▶||** ou **REPEAT/M-DN (Répéter/mémorisation précédente)** de la minichaîne ou sur **▶||** ou **REPEAT/MEM DN (Répéter/mémorisation précédente)** de la télécommande pour sélectionner le numéro de la station mémorisée à écouter. Le numéro affecté à la station s'affiche à l'écran.

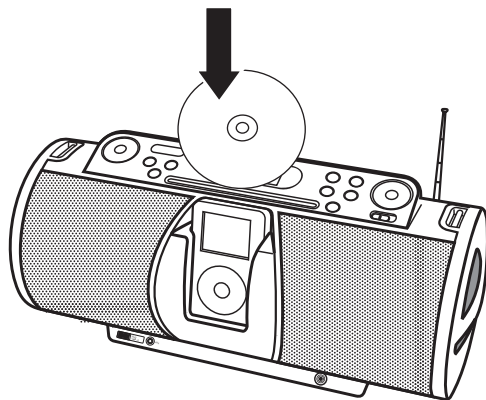
Écoute d'un CD

Remarque

Outre les CD audio, la minichaîne peut lire des CD-R et des CD-RW. Il est nécessaire de finaliser un CD-R ou un CD-RW avant de pouvoir le lire.

Pour lire un CD :

- 1 Vérifier que la minichaîne est allumée.
- 2 Appuyer sur **FUNCTION** (Fonction) de la minichaîne ou de la télécommande pour sélectionner CD. -- s'affiche à l'écran.
- 3 Insérer un CD, en orientant l'étiquette vers l'écran, dans la fente d'insertion de CD.



- 4 Appuyer sur ►|| de la minichaîne ou de la télécommande pour commencer la lecture.
- 5 Si nécessaire, appuyer sur les touches d'augmentation ou de diminution du **VOLUME** de la minichaîne ou de la télécommande pour le régler.
- 6 (En option) Appuyer sur **PRESET EQ** (Égalisateur pré-réglé) de la minichaîne ou sur **EQ** (Égalisation) de la télécommande pour sélectionner le mode d'égalisation. Sélectionner au choix CLASSIC (Classique), JAZZ, ROCK ou POP. Le réglage d'égalisateur sélectionné s'affiche à l'écran.
- 7 Appuyer sur ■ de la minichaîne ou de la télécommande pour arrêter la lecture.
- 8 Appuyer sur ▲ de la minichaîne ou de la télécommande pour retirer le CD.

Commande de la lecture d'un CD

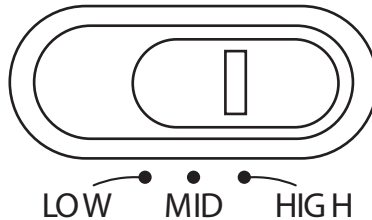
Pour commander la lecture d'un CD :

- Pour arrêter momentanément la lecture, appuyer sur ►|| de la minichaîne ou de la télécommande. Pour reprendre la lecture, appuyer de nouveau sur cette touche.
- Pour passer à la piste suivante, appuyer sur ►►| de la minichaîne ou de la télécommande. Pour passer à la piste précédente, appuyer sur |◄◄ de la minichaîne ou de la télécommande.
- Pour effectuer une recherche avant dans la chanson en cours, maintenir appuyée ►►| de la minichaîne ou de la télécommande. Pour effectuer une recherche arrière dans la chanson en cours, maintenir appuyée |◄◄ de la minichaîne ou de la télécommande.

Réglage des graves

Pour régler les graves :

- Faire glisser le commutateur **DBBS** dans la position souhaitée. Il est possible de sélectionner LOW, MID ou HIGH (basse, moyenne ou élevée).



Répétition d'une piste unique ou de tout un CD

Pour répéter une piste unique :

- Pendant la lecture de la piste, appuyer une fois sur **REPEAT/M-DN** (Répéter/mémorisation précédente) de la minichaîne ou de la télécommande. REP s'affiche à l'écran.

Pour répéter tout un CD :

- Pendant la lecture du CD, appuyer deux fois sur **REPEAT/M-DN** (Répéter/mémorisation précédente) de la minichaîne ou de la télécommande. REP ALL s'affiche à l'écran.

Pour annuler la fonction de répétition :

- Pendant la lecture en boucle d'une piste, appuyer deux fois sur **REPEAT/M-DN** (Répéter/mémorisation précédente) de la minichaîne ou de la télécommande.
- Pendant la lecture en boucle de tout un CD, appuyer une fois sur **REPEAT/M-DN** (Répéter/mémorisation précédente) de la minichaîne ou de la télécommande.

Remarque

La fonction de répétition peut être utilisée lors de la lecture d'une liste de lecture.

Programmation d'une liste de lecture

Il est possible de programmer une liste de lecture comprenant jusqu'à 20 pistes ou chansons.

Pour programmer une liste de lecture :

- 1 Si la minichaîne est en marche, appuyer sur ■ de la minichaîne ou de la télécommande.
- 2 Appuyer sur **MEM/CLK ADJ** (Mémorisation/réglage de l'heure) de la minichaîne ou sur **MEM/CLK SET** (Mémorisation/réglage de l'heure) de la télécommande pour enregistrer le réglage. Le témoin PROG clignote à l'écran.



- 3 Appuyer sur ◀◀ ou ▶▶ de la minichaîne ou de la télécommande pour sélectionner une piste ou une chanson.
- 4 Appuyer sur **MEM/CLK ADJ** (Mémorisation/réglage de l'heure) de la minichaîne ou sur **MEM/CLK SET** (Mémorisation/réglage de l'heure) de la télécommande pour enregistrer la sélection.
- 5 Répéter les étapes 2 à 4 pour ajouter des pistes ou chansons supplémentaires à la liste de lecture.
- 6 Appuyer sur ▶|| de la minichaîne ou de la télécommande pour commencer la lecture.

Remarque

Il est possible de modifier la liste de lecture ou d'y ajouter des pistes ou chansons en suivant les étapes de programmation d'une liste de lecture.

Pour annuler la liste de lecture :

- Sélectionner une autre fonction.
- Ou
- Éjecter le CD.
- Ou
- Mettre la minichaîne hors tension.

Réglage du temporisateur

Pour régler le temporisateur :

- 1 Appuyer sur **TIMER** (Temporisateur) de la minichaîne ou de la télécommande. **TIMER ON** (Temporisateur activé) s'affiche à l'écran.



- 2 Maintenir appuyée **TIMER** (Temporisateur). Lorsque l'heure clignote à l'écran, relâcher la touche.



- 3 Appuyer sur **◀◀** ou **▶▶** de la minichaîne ou de la télécommande pour sélectionner l'heure, puis appuyer sur **TIMER** (Temporisateur). Les minutes clignotent à l'écran.



- 4 Appuyer sur **◀◀** ou **▶▶** de la minichaîne ou de la télécommande pour sélectionner les minutes, puis appuyer sur **TIMER** (Temporisateur).
- 5 Pour sortir du mode temporisation, répéter les étapes 3 et 4 pour régler le temporisateur sur **TIMER OFF** (Temporisateur désactivé), ou appuyer deux fois sur **TIMER** (Temporisateur).

Remarque

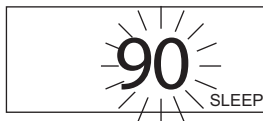
Lorsque le temporisateur est activé, **TIMER** (Temporisateur) s'affiche à l'écran.

- 6 Pour annuler le temporisateur, maintenir appuyée **TIMER** (Temporisateur) jusqu'à ce que **TIMER** disparaisse de l'écran.

Réglage de l'arrêt différé

Pour régler l'arrêt différé :

- 1 Appuyer sur **SLEEP** (Arrêt différé) de la minichaîne ou de la télécommande. **SLEEP** (Arrêt différé) s'affiche à l'écran.



- 2 Appuyer une ou plusieurs fois sur **SLEEP** (Arrêt différé) pour sélectionner la durée avant la mise hors tension automatique de la minichaîne. Il est possible de sélectionner une durée de 90 à 10 minutes.
- 3 Pour annuler l'arrêt différé, maintenir appuyée **SLEEP** (Arrêt différé) jusqu'à ce que **SLEEP** disparaisse de l'écran.

Écoute de l'iPod shuffle

Remarque

La batterie de l'iPod shuffle se charge lorsqu'il est connecté à la minichaîne.

Pour écouter l'iPod shuffle :

- 1 Vérifier que la minichaîne est éteinte.
- 2 Connecter l'iPod shuffle à la minichaîne.
- 3 Mettre la minichaîne sous tension.
- 4 Appuyer une ou plusieurs fois sur **FUNCTION** (Fonction) de la minichaîne ou de la télécommande, jusqu'à ce que **AUX** s'affiche à l'écran.
- 5 Utiliser les commandes de l'iPod shuffle pour contrôler la lecture.
- 6 Si nécessaire, appuyer sur les touches d'augmentation ou de diminution du **VOLUME** de la minichaîne ou de la télécommande pour le régler.

Écoute de tous les autres iPods audio

Pour écouter l'iPod :

- 1 Vérifier que le support de l'iPod est installé.
- 2 Vérifier que la minichaîne est éteinte, puis insérer l'iPod dans le support.
- 3 Mettre la minichaîne sous tension.

- 4 Appuyer sur **iPOD** de la minichaîne ou de la télécommande.
- 5 Appuyer sur ►|| de la minichaîne ou de la télécommande pour commencer la lecture.
- 6 Si nécessaire, appuyer sur les touches d'augmentation ou de diminution du **VOLUME** de la minichaîne ou de la télécommande pour le régler.
- 7 (En option) Appuyer sur **PRESET EQ** (Égalisateur pré-réglé) de la minichaîne ou sur **EQ** (Égalisation) de la télécommande pour sélectionner le mode d'égalisation. Sélectionner au choix CLASSIC (Classique), JAZZ, ROCK ou POP. Le mode d'égalisation sélectionné s'affiche à l'écran.

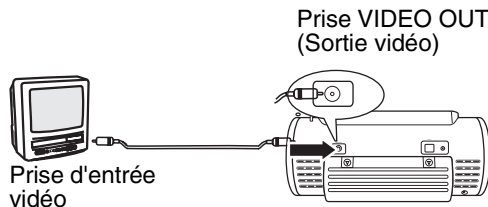
Conseil

Utiliser ►|| et ◀◀◀ ou ▶▶▶ pour contrôler la lecture de l'iPod.

Visualisation d'une vidéo ou de photos à partir d'un iPod

Pour regarder une vidéo ou des photos à partir d'un iPod :

- 1 Vérifier que le support de l'iPod N'EST PAS installé.
- 2 Vérifier que la minichaîne est éteinte, puis insérer l'iPod dans le logement pour iPod. Le support n'est pas nécessaire pour un iPod vidéo.
- 3 Brancher un câble vidéo (non fourni) sur la prise VIDEO OUT (Sortie vidéo) située au dos de la minichaîne.



- 4 Connecter l'autre extrémité du câble vidéo à la prise d'entrée vidéo du périphérique vidéo.
- 5 Mettre la minichaîne sous tension.
- 6 Appuyer sur **iPOD** sur la minichaîne.
- 7 Appuyer sur ►|| de la minichaîne ou de la télécommande pour commencer la lecture.
- 8 Si besoin, appuyer sur les touches de réglage du **VOLUME** de la minichaîne ou de la télécommande pour ajuster le volume.

- 9 (En option) Appuyer sur **PRESET EQ** (Égalisateur pré réglé) de la minichaîne ou sur **EQ** (Égalisation) de la télécommande pour sélectionner le mode d'égalisation. Sélectionner au choix **CLASSIC** (Classique), **JAZZ**, **ROCK** ou **POP**. Le mode d'égalisation sélectionné s'affiche à l'écran.

Conseil

Les commandes utilisées pour contrôler la lecture de l'iPod sont les mêmes que celles utilisées pour contrôler la lecture d'un CD. Pour plus d'informations, voir : "Commande de la lecture d'un CD" voir page 50.

Charge de la batterie de l'iPod

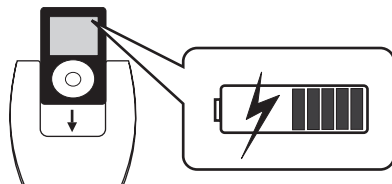
Remarque

La batterie de l'iPod shuffle se charge lorsqu'il est connecté à la minichaîne.

Pour charger la batterie de l'iPod :

- 1 Vérifier que le support d'iPod correct est installé dans le logement pour iPod de la minichaîne.
- 2 Mettre l'iPod sous tension.
- 3 Insérer l'iPod dans le support en orientant l'écran vers l'extérieur.

Lorsque l'iPod est inséré, il se met en mode veille, puis s'éteint. Le témoin de charge de la batterie s'affiche à l'écran de l'iPod.



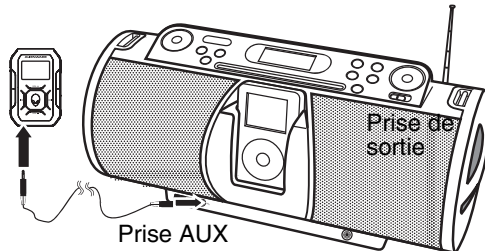
Écoute d'autres périphériques audio portatifs

Remarque

La télécommande ne peut pas être utilisée pour contrôler la lecture sur un périphérique audio. Utiliser les commandes du périphérique audio.

Pour écouter un autre périphérique audio portable :

- 1 Vérifier que la minichaîne est éteinte.
- 2 Brancher une extrémité du câble d'entrée ligne auxiliaire (fourni) sur la prise AUX située à l'arrière de la minichaîne.



- 3 Brancher l'autre extrémité du câble sur la prise de sortie ligne du périphérique audio.
- 4 Mettre la minichaîne sous tension.
- 5 Appuyer une ou plusieurs fois sur **FUNCTION** (Fonction) de la minichaîne ou de la télécommande, jusqu'à ce que AUX s'affiche à l'écran.
- 6 Utiliser les commandes du périphérique audio pour contrôler la lecture.

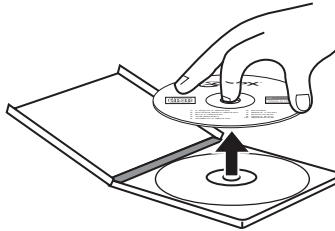
Problèmes et solutions

Problème	Cause éventuelle	Solution possible
Pas de son.	L'appareil n'est pas alimenté en électricité.	Vérifier que le cordon d'alimentation est branché sur une prise secteur ou remplacer les piles.
	La lecture n'a pas commencé.	Appuyer sur ►II.
	Le mode de lecture n'est pas réglé correctement.	Appuyer sur FONCTION (Fonction) pour sélectionner le mode de lecture correct.
	La commande du VOLUME est réglée au minimum.	Augmenter le volume.
Un CD a été inséré mais les pistes ne sont pas affichées.	Le CD n'a pas été inséré correctement.	Vérifier que le CD est inséré avec l'étiquette tournée vers l'écran.
	Le CD est sale.	Nettoyer le CD. Pour plus d'informations, voir "Nettoyage des CD" voir page 58.
	Le CD est rayé ou voilé.	Insérer un autre CD.
	De la condensation s'est formée dans la platine du lecteur de CD.	Retirer le CD et laisser le compartiment ouvert pendant environ une heure pour que la condensation s'évapore.
La lecture de certaines sections d'un CD est anormale.	Le CD est sale.	Nettoyer le CD. Pour plus d'informations, voir "Nettoyage des CD" voir page 58.
	Le CD est rayé.	Sauter les sections rayées ou remplacer le CD.

Entretien

Manipulation des CD

- Pour retirer un CD de son boîtier, le tenir par la périphérie tout en appuyant légèrement sur le trou central.



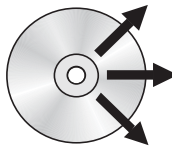
- Ne pas toucher la surface brillante d'un CD ou plier le CD.
- Placer le CD sur le plateau, avec l'étiquette tournée vers le haut.

Nettoyage des CD

La lecture d'un CD sale risque d'être incorrecte.

Pour nettoyer un CD :

- À l'aide d'un chiffon doux, essuyer le CD d'un mouvement rectiligne du centre vers la périphérie.



Attention

Ne pas utiliser de solvants (tels que : nettoyants pour disque, diluant ou benzène) pour nettoyer un CD.

Nettoyage de la minichaîne

Suivre les indications suivantes pour le nettoyage de la minichaîne :

- Nettoyer l'extérieur de la minichaîne avec un chiffon doux, propre et humecté d'eau tiède ordinaire.
- Ne jamais utiliser de solvants tels que le benzène ou d'autres produits de nettoyage chimiques puissants car ils pourraient endommager le fini de l'appareil.

- Éviter la pénétration de gouttes de liquide à l'intérieur de l'appareil.

Avis juridiques

FCC article 15

Cet appareil est conforme à l'article 15 du règlement de la FCC. Son utilisation est soumise aux deux conditions suivantes : (1) Cet appareil ne doit pas provoquer d'interférences dangereuses et (2) il doit accepter toute interférence reçue, y compris celles risquant d'engendrer un fonctionnement indésirable.

Cet équipement a été mis à l'essai et déclaré conforme aux limites prévues pour un appareil numérique de classe B, définies dans la section 15 de la réglementation FCC. Ces limites ont été établies pour fournir une protection raisonnable contre les interférences indésirables lors d'une installation résidentielle. Cet équipement génère, utilise et diffuse des ondes radio et, s'il n'est pas installé et utilisé conformément aux instructions dont il fait l'objet, il peut provoquer des interférences indésirables avec les communications radio. Cependant, il n'est pas possible de garantir qu'aucune interférence ne se produira pour une installation particulière. Si cet équipement produit des interférences importantes lors de réceptions radio ou télévisées, qui peuvent être détectées en éteignant puis en rallumant l'appareil, essayer de corriger l'interférence au moyen de l'une ou de plusieurs des mesures suivantes :

- Réorienter ou déplacer l'antenne réceptrice.
- Augmenter la distance entre l'équipement et le récepteur.
- Brancher l'équipement sur la prise secteur d'un circuit différent de celui auquel le récepteur est relié.
- Contacter le revendeur ou un technicien qualifié pour toute assistance.

Avertissement de la FCC

Tous changements ou modifications qui ne seraient pas expressément approuvés par les responsables de l'application des règles FCC pourraient rendre nul le droit de l'utilisateur d'utiliser cet équipement.

Déclaration NMB-003 du Canada

Cet appareil numérique de la classe B est conforme à la norme NMB-003 du Canada.

Droits d'auteurs

© 2007 Insignia. Insignia et le logo Insignia sont des marques de commerce de Best Buy Enterprise Services, Inc. Les autres noms de marques et de produits mentionnés sont des marques de commerce ou des marques déposées de leurs propriétaires respectifs. Les spécifications et caractéristiques sont susceptibles d'être modifiées sans préavis.

Pour l'assistance technique, appeler le (877) 467-4289.

iPod est une marque de commerce d'Apple Computer, Inc. déposée aux États-Unis et dans d'autres pays.

Garantie limitée de 90 jours

Insignia Products ("Insignia") garantit au premier acheteur de ce **NS-B2114W** neuf ("Produit"), qu'il est exempt de vices de fabrication et de main-d'œuvre à l'origine, pour une période de 90 jours à partir de la date d'achat du Produit ("Période de garantie"). Ce produit doit avoir été acheté chez un revendeur agréé des produits de la marque Insignia et emballé avec cette déclaration de garantie. Cette garantie ne couvre pas les Produits remis à neuf. Les conditions de la présente garantie s'appliquent à tout Produit pour lequel Insignia est notifié, pendant la Période de garantie, d'un vice couvert par cette garantie qui nécessite une réparation.

Quelle est la durée de la couverture ?

La Période de garantie dure 90 jours à compter de la date d'achat de ce Produit. La date d'achat est imprimée sur le reçu fourni avec le Produit.

Que couvre cette garantie ?

Pendant la Période de garantie, si un vice de matériau ou de main-d'œuvre d'origine est détecté sur le Produit par un service de réparation agréé par Insignia ou le personnel du magasin, Insignia (à sa seule discrétion) : (1) réparera le Produit en utilisant des pièces détachées neuves ou remises à neuf ; ou (2) remplacera le Produit par un produit ou des pièces neuves ou remises à neuf de qualité comparable. Les produits et pièces remplacés au titre de cette garantie deviennent la propriété d'Insignia et ne sont pas retournés à l'acheteur. Si les Produits ou pièces nécessitent une réparation après l'expiration de la Période de garantie, l'acheteur devra payer tous les frais de main d'œuvre et les pièces. Cette garantie reste en vigueur tant que l'acheteur reste propriétaire du Produit Insignia pendant la Période de garantie. La garantie prend fin si le Produit est revendu ou transféré d'une quelconque façon que ce soit à tout autre propriétaire.

Comment obtenir une réparation sous garantie ?

Si le Produit a été acheté chez un détaillant, le rapporter accompagné du reçu original chez ce détaillant. S'assurer de remettre le Produit dans son emballage d'origine ou dans un emballage qui procure la même qualité de protection que celui d'origine. Si le Produit a été acheté en ligne, l'expédier accompagné du reçu original à l'adresse indiquée sur le site Web. S'assurer de remettre le Produit dans son emballage d'origine ou dans un emballage qui procure la même qualité de protection que celui d'origine.

Où cette garantie s'applique-t-elle ?

Cette garantie ne s'applique qu'à l'acheteur original du Produit aux États-Unis et au Canada.

Ce qui n'est pas couvert par cette garantie limitée

La présente garantie ne couvre pas :

- la formation du client ;
- l'installation ;
- les réglages de configuration ;
- les dommages esthétiques ;
- les dommages résultants de catastrophes naturelles telles que la foudre ;
- les accidents ;
- une utilisation inadaptée ;
- une manipulation abusive ;
- la négligence ;
- une utilisation commerciale ;

- la modification de tout ou partie du Produit, y compris l'antenne.

La présente garantie ne couvre pas non plus :

- les dommages ayant pour origine une utilisation ou une maintenance défectueuse ;
- la connexion à une source électrique dont la tension est inadéquate ;
- Toute réparation effectuée par quiconque autre qu'un service de réparation agréé par Insignia pour la réparation du Produit
- les Produits vendus en l'état ou hors service ;
- les consommables tels que les fusibles ou les piles ;
- les produits dont le numéro de série usine a été altéré ou enlevé du Produit.

LA RÉPARATION OU LE REMPLACEMENT, TELS QU'OFFERTS PAR LA PRÉSENTE GARANTIE, CONSTITUENT LE SEUL RECOURS DE L'ACHETEUR. INSIGNIA NE SAURAIT ÊTRE TENU POUR RESPONSABLE DE DOMMAGES ACCESSOIRES OU CONSÉCUTIFS, RÉSULTANT DE L'INEXÉCUTION D'UNE GARANTIE EXPRESSE OU IMPLICITE SUR CE PRODUIT, Y COMPRIS, SANS S'Y LIMITER, LA PERTE DE DONNÉES, L'IMPOSSIBILITÉ D'UTILISER LE PRODUIT, L'INTERRUPTION D'ACTIVITÉ OU LA PERTE DE PROFITS. INSIGNIA PRODUCTS N'OCTROIE AUCUNE AUTRE GARANTIE EXPRESSE RELATIVE À CE PRODUIT ; TOUTES LES GARANTIES EXPRESSES OU IMPLICITES POUR CE PRODUIT, Y COMPRIS MAIS SANS LIMITATION, TOUTE GARANTIE DE QUALITÉ MARCHANDE, D'ADÉQUATION À UN BUT PARTICULIER, SONT LIMITÉES À LA PÉRIODE DE GARANTIE APPLICABLE TELLE QUE DÉCRITE CI-DESSUS ET AUCUNE GARANTIE EXPRESSE OU IMPLICITE, NE S'APPLIQUERA APRÈS LA PÉRIODE DE GARANTIE. CERTAINS ÉTATS ET PROVINCES NE RECONNAISSENT PAS LES LIMITATIONS DE LA DURÉE DE VALIDITÉ DES GARANTIES IMPLICITES. PAR CONSÉQUENT, LES LIMITATIONS SUSMENTIONNÉES PEUVENT NE PAS S'APPLIQUER À L'ACHETEUR ORIGINAL. LA PRÉSENTE GARANTIE DONNE À L'ACHETEUR DES GARANTIES JURIDIQUES SPÉCIFIQUES ; IL PEUT AUSSI BÉNÉFICIER D'AUTRES GARANTIES QUI VARIENT D'UN ÉTAT OU D'UNE PROVINCE À L'AUTRE.

Pour contacter Insignia :

Pour le service à la clientèle, appeler le 1-877-467-4289

www.insignia-products.com

INSIGNIAMC est une marque commerciale de Best Buy Enterprise Services, Inc.

Distribué par Best Buy Purchasing, LLC.

Insignia, 7601 Penn Avenue South, Richfield, Minnesota, U.S.A.

Insignia NS-B2114W Boombox de CD con Radio AM/FM

Contenido

Bienvenido	63
Información de seguridad	64
Características	66
Preparación de su boombox	72
Uso de su boombox	77
Localización y corrección de fallas	88
Mantenimiento	89
Avisos legales	91
Garantía limitada de 90 días	93

Bienvenido

Felicitaciones por su compra de un producto de alta calidad de Insignia. Su NS-B2114W representa el más moderno diseño de boombox, y está concebido para brindar un rendimiento confiable y sin problemas.

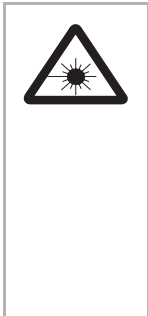
Información de seguridad



Este símbolo indica que voltaje peligroso que puede constituir un riesgo de choque eléctrico se encuentra presente dentro de su boombox. Esta etiqueta se encuentra ubicada en la parte posterior de su boombox.



Este símbolo indica que hay instrucciones importantes de operación y mantenimiento en la literatura que acompaña a su boombox.



Su boombox utiliza un láser Clase 1 para leer discos compactos. Este boombox está equipado con interruptores de seguridad para evitar la exposición cuando la puerta del CD está abierta y se han vencido los seguros. Hay radiación de láser invisible presente cuando la tapa de la ranura del CD está abierta y han fallado o se han vencido los seguros. Evite la exposición directa al rayo láser en todo momento. No trate de vencer ni cancelar los seguros.

Advertencia

Para reducir el riesgo de incendio o choque eléctrico, no exponga su boombox a la lluvia o la humedad.

Advertencia

Cualquier uso de los controles o un ajuste en los procedimientos diferente a los especificados en el presente puede resultar en radiación peligrosa.

Advertencia

Para reducir el riesgo de choque eléctrico, no retire la cubierta o la parte posterior. No existen partes reparables por el usuario en el interior. Para realizar cualquier reparación, acuda al personal de servicio calificado.

Lea las instrucciones

Lea todas las instrucciones de seguridad y operación antes de usar su boombox.

Guarde las instrucciones

Conserve las instrucciones de seguridad y operación para referencia futura.

Siga las advertencias y las instrucciones

Preste atención a todas las advertencias sobre su boombox y las instrucciones de operación. Siga todas las instrucciones de operación y uso.

Conexión a tierra o polarización

No anule el propósito de seguridad del enchufe con polarización o con conexión a tierra. Un enchufe polarizado tiene dos espigas una más ancha que la otra. Un enchufe del tipo de conexión a tierra tiene dos espigas y una clavija de tierra. La espiga ancha y la clavija de tierra se proveen para su seguridad. Si el enchufe no cabe, póngase en contacto con un electricista para reemplazar el tomacorriente obsoleto.

Ubicación

Cuando coloque su boombox sobre acabado barnizado o natural, proteja el mueble con un paño u otro material protector.

Evite la exposición directa a la luz solar, temperaturas extremas y humedad.

Ventilación

Las ranuras y aberturas en el gabinete y en la parte posterior o en la base se proporcionan con fines de ventilación, operación confiable y protección contra sobrecalentamiento. Estas aberturas no se deben bloquear ni cubrir. No cubra las aberturas al colocar su boombox sobre una cama, sofá, alfombra, o cualquier otra superficie parecida.

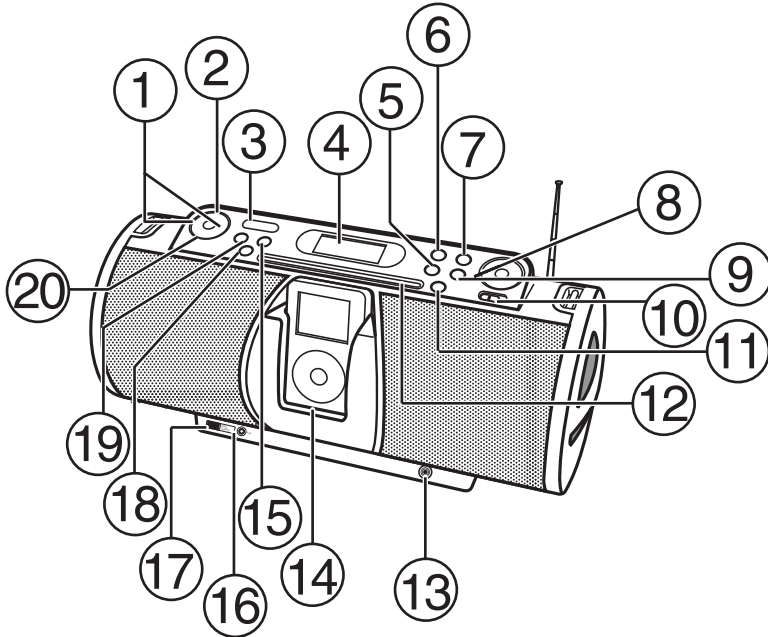
Agua y humedad

No use su boombox cerca del agua. Por ejemplo, no lo use cerca de una bañera, lavabo, fregadero de cocina o lavadero, en un sótano mojado o cerca de una piscina.




No exponga el boombox a salpicaduras o goteo. No coloque objetos que contienen líquidos, como por ejemplo un florero, sobre la parte superior de su boombox.

Características

Vista frontal

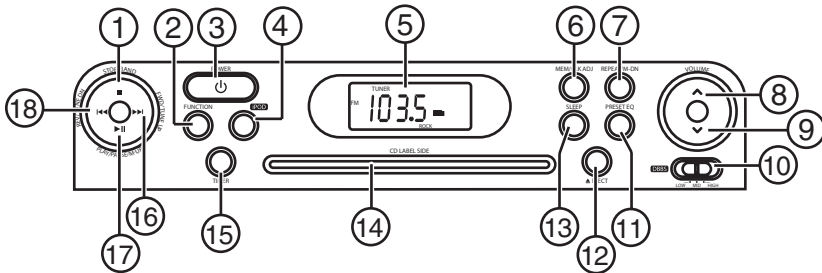


No.	Feature (Función)	Descripción
1	<p>◀◀ Control REV/TUNE DN (Retroceder/Sintonizar abajo)</p> <p>▶▶ Control FWD/TUNE UP (Avanzar/Sintonizar arriba)</p>	<p>Cuando establece la hora, le permite establecer el formato de visualización de la hora (24 horas o 12 horas)</p> <p>Cuando escucha la radio, le permite seleccionar una estación de radio o programar una estación de radio en la memoria.</p> <p>Cuando reproduce un CD o un iPod, le permite retroceder rápido o avanzar rápido, buscar una canción, o seleccionar una canción para una lista de reproducción.</p>
2	<p>■ Control STOP/BAND (Detener/Banda)</p>	<p>En el modo CD o iPod, permite detener la reproducción.</p> <p>En el modo RADIO, permite seleccionar AM o FM.</p>
3	<p>⏻ Botón ENCENDIDO</p>	<p>Le permite encender o apagar su boombox.</p>






No.	Feature (Función)	Descripción
4	Pantalla LCD	Muestra información sobre su boombox, como el modo de reproducción, información de pista y la información de estado.
5	Botón APAGADO AUTOMÁTICO	Permite configurar el temporizador de APAGADO AUTOMÁTICO.
6	Botón MEM/CLK ADJ (Memoria/ Ajustar Reloj)	Cuando su boombox está apagado, presione este botón para establecer la hora.
7	Botón REPEAT/M-DN (Repetir/ Memoria-abajo)	En el modo CD, permite repetir una pista del CD o el CD. En el modo RADIO, permite seleccionar una estación programada.
8	VOLUMEN  VOLUMEN 	Permiten subir o bajar el volumen.
9	Botón PRESET EQ (Ecuador predefinido)	Permite seleccionar el modo de ecualización. Puede seleccionar CLASSIC, JAZZ, ROCK o POP.
10	Interruptor DBBS (Sonido con amplificación dinámica de graves)	Permite seleccionar el modo DBBS. Puede seleccionar LOW (Bajo), MID (Medio) o ALTO (Alto).
11	 Botón EXPULSAR	Presione para expulsar el CD.
12	Ranura para CD	Inserte un CD en esta ranura, con la etiqueta orientada hacia la pantalla.
13	Toma de auriculares	Conecte los auriculares (no incluidos) en este toma.
14	Ranura para iPod	Inserte el iPod en esta ranura, con la pantalla orientada hacia afuera.
15	Botón IPOD	Permite seleccionar el modo de iPod.
16	Conector AUX	Conecte un dispositivo de audio externo en este conector.
17	Conector IPOD SHUFFLE	Conecte un iPod shuffle en este conector.
18	Botón de Temporizador	Presione para ajustar el temporizador.
19	Botón de Función	Presione para seleccionar el modo de reproducción. Puede seleccionar CD para reproducir un CD, RADIO para escuchar la radio o AUX para reproducir la mezcla iPod (iPod shuffle).

No.	Feature (Función)	Descripción
20	▶ II Control PLAY/PAUSE/M-UP (Reproducir/Pausa/Memoria-Arriba)	En el modo CD, permite comenzar o pausar la reproducción del CD. En el modo RADIO, permite seleccionar una estación programada.

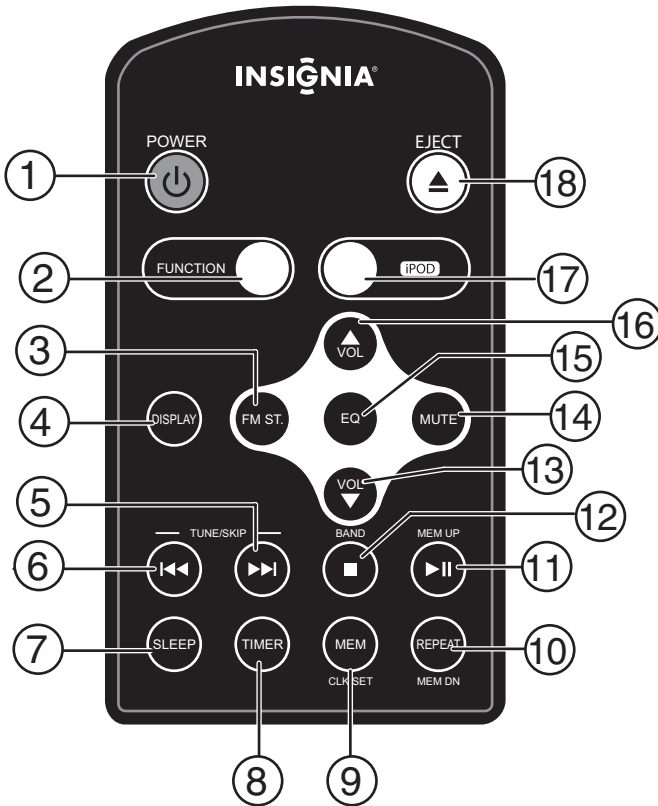
Panel superior




No.	Componente	Descripción
1	■ STOP/BAND (Detener/Banda)	En el modo CD o iPod, permite detener la reproducción. En el modo RADIO, permite seleccionar AM o FM.
2	FUNCIÓN	Presione para seleccionar el modo de reproducción. Puede seleccionar CD para reproducir un CD, RADIO para escuchar la radio o AUX para reproducir el iPod.
3	⏻ ENCENDIDO	Presione para encender o apagar su boombox.
4	IPOD	Presione para seleccionar el modo iPod.
5	Pantalla LCD	Muestra información sobre su boombox, como el modo de reproducción, información de pista y la información de estado.
6	MEM/CLK ADJ (Memoria/Ajustar Reloj)	Cuando su boombox está apagado, presione este botón para establecer la hora.
7	REPEAT/M-DN (Repetir/Memoria-abajo)	En el modo CD, permite repetir una pista del CD o el CD. En el modo RADIO, permite seleccionar una estación programada.
8	Subir VOLUMEN ⏮	Permite subir el volumen.

No.	Componente	Descripción
9	Bajar VOLUMEN 	Permite bajar el volumen.
10	DBBS (Sonido con amplificación dinámica de graves)	Permite seleccionar el modo DBBS. Puede seleccionar LOW (Bajo), MID (Medio) o ALTO (Alto).
11	PRESET EQ (Ecuador predefinido)	En el modo RADIO, permite programar una estación de radio en la memoria. En el modo CD, permite seleccionar un modo de ecualizador. Puede seleccionar CLASSIC, JAZZ, ROCK o POP.
12	 EXPULSAR	Presione para expulsar el CD.
13	APAGADO AUTOMÁTICO	Permite configurar el temporizador de APAGADO AUTOMÁTICO.
14	Ranura para CD	Inserte un CD en esta ranura, con la etiqueta orientada hacia la pantalla.
15	TIMER (Temporizador)	Presione para ajustar el temporizador.
16	 FWD/TUNE UP (Avanzar/Sintonizar arriba)	Cuando establece la hora, le permite establecer el formato de visualización de la hora (24 horas o 12 horas) Cuando escucha la radio, le permite seleccionar una estación de radio o programar una estación de radio en la memoria. Cuando reproduce un CD o un iPod, le permite avanzar rápido, buscar una canción, o seleccionar una canción para una lista de reproducción.
17	 PLAY/PAUSE/M-UP (Reproducir/Pausa/Memoria-arriba)	Presione para comenzar o pausar la reproducción del CD o iPod.
18	 REV/TUNE DN (Retroceder/Sintonizar abajo)	Cuando establece la hora, le permite establecer el formato de visualización de la hora (24 horas o 12 horas) Cuando escucha la radio, le permite seleccionar una estación de radio o programar una estación de radio en la memoria. Cuando reproduce un CD o un iPod, le permite retroceder rápido, buscar una canción, o seleccionar una canción para una lista de reproducción.

Control remoto



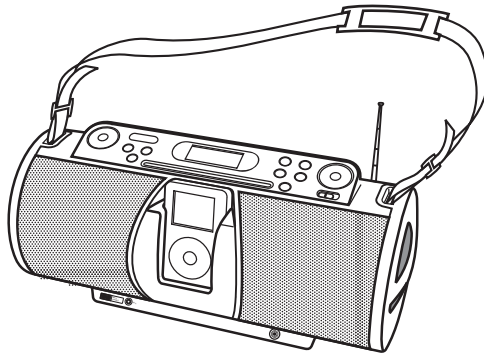
No.	Botón	Descripción
1	ENCENDIDO	Presione para encender o apagar su boombox.
2	FUNCIÓN	Presione para seleccionar el modo de reproducción. Puede seleccionar CD para reproducir un CD, RADIO para escuchar la radio o AUX para reproducir el iPod.
3	FM Estéreo	Presione para seleccionar el modo FM. Puede seleccionar estéreo o mono.
4	VISUALIZACIÓN	En el modo RADIO, presione para ver la hora.

No.	Botón	Descripción
5	 TUNE/SKIP (Sintonizar/Saltar)	<p>Cuando establece la hora, le permite establecer el formato de visualización de la hora (24 horas o 12 horas)</p> <p>Cuando escucha la radio, le permite seleccionar una estación de radio o programar una estación de radio en la memoria.</p> <p>Cuando reproduce un CD o un iPod, le permite avanzar rápido, buscar una canción, o seleccionar una canción para una lista de reproducción.</p>
6	 TUNE/SKIP (Sintonizar/Saltar)	<p>Cuando establece la hora, le permite establecer el formato de visualización de la hora (24 horas o 12 horas)</p> <p>Cuando escucha la radio, le permite seleccionar una estación de radio o programar una estación de radio en la memoria.</p> <p>Cuando reproduce un CD o un iPod, le permite retroceder rápido, buscar una canción, o seleccionar una canción para una lista de reproducción.</p>
7	APAGADO AUTOMÁTICO	Permite configurar el temporizador de APAGADO AUTOMÁTICO.
8	TIMER (Temporizador)	Presione para ajustar el temporizador.
9	MEM/CLK SET (Memoria/Ajustar Reloj)	Cuando su boombox está apagado, presione este botón para establecer la hora.
10	REPEAT/MEM DN (Repetir/Memoria-abajo)	<p>En el modo CD, permite repetir una pista del CD o el CD.</p> <p>En el modo RADIO, permite seleccionar una estación programada.</p>
11	 MEM UP (Memoria arriba)	Presione para comenzar o pausar la reproducción del CD o iPod.
12	 BAND (Banda)	<p>En el modo CD o iPod, permite detener la reproducción.</p> <p>En el modo RADIO, permite seleccionar AM o FM.</p>
13	 VOL (Volumen)	Permite bajar el volumen.
14	SILENCIAR	Permite silenciar el sonido. Presiónelo de nuevo para restaurar el sonido.

No.	Botón	Descripción
15	EQ (Ecuador)	Presione para seleccionar el modo de ecualizador. Puede seleccionar CLASSIC, JAZZ, ROCK o POP.
16	▲ VOL (Volumen)	Permite subir el volumen.
17	iPOD	Presione para seleccionar el modo iPod.
18	▲ EXPULSAR	Presione para expulsar el CD.

Instalación de la correa de hombro

Instale la correa de hombro como se muestra en la ilustración siguiente:

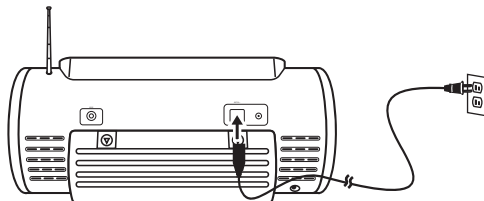


Preparación de su boombox

Conexión del cable de alimentación de CA.

Para conectar el cable de alimentación de CA:

- 1 Conecte el cable de alimentación en el toma AC IN (Entrada de CA) en la parte posterior de su boombox.



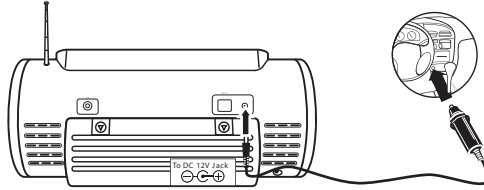
- 2 Enchufe el otro extremo del cable de alimentación de CA en un tomacorriente de 120V CA/60 Hz.

Conexión del cable de alimentación de CC

Puede usar el cable de alimentación de CC (no incluido) para conectar su boombox en un toma de encendedor de cigarrillos o un toma de corriente de un vehículo.

Para conectar el cable de alimentación de CC:

- 1 Conecte el cable de alimentación en el toma DC IN (Entrada de CC) en la parte posterior de su boombox.

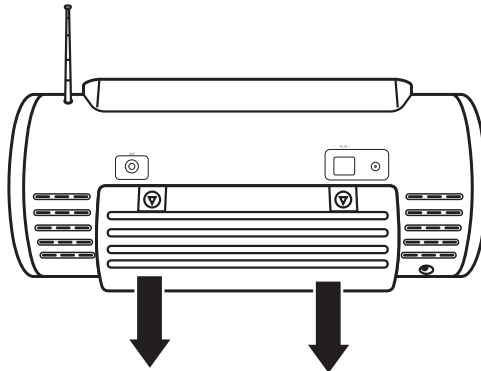


- 2 Enchufe el otro extremo del cable de alimentación en el toma para el encendedor de cigarrillos u otra toma de corriente CC de un vehículo.

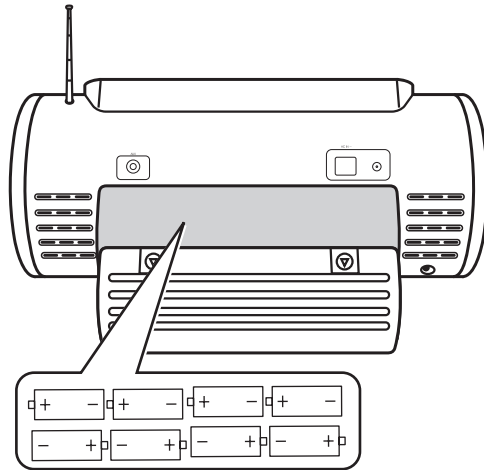
Instalación de las pilas

Para instalar las pilas:

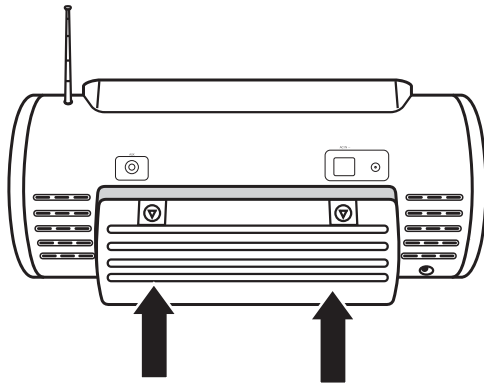
- 1 Asegúrese de que el cable de alimentación esté desenchufado.
- 2 Extraiga la cubierta del compartimento de las pilas.



- 3 Inserte ocho pilas tipo D (no incluidas) en el compartimiento de pilas. Compruebe que los símbolos + y – en las pilas coincidan con los símbolos + y – dentro del compartimiento de las pilas.



- 4 Vuelva a colocar la cubierta del compartimiento de las pilas.



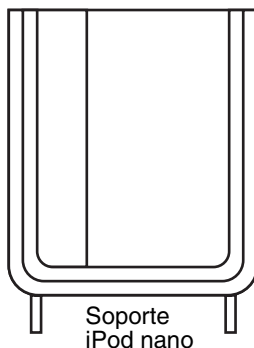
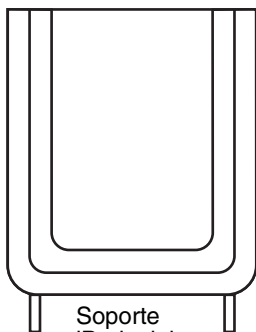
Conexión de un iPod

Puede conectar un iPod (no incluido) en su boombox para escuchar las canciones almacenadas en su iPod.

iPod Mini y iPod nano

Para conectar un iPod Mini o iPod nano:

- 1 Asegúrese de que su boombox esté apagado.
- 2 Deslice e inserte el soporte del iPod en la ranura para el iPod en su boombox.

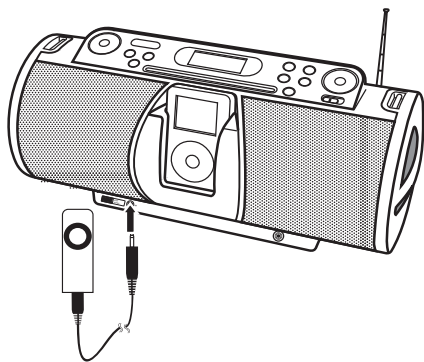


- 3 Inserte el iPod en el soporte del iPod, con la pantalla orientada hacia afuera.

iPod shuffle

Para conectar el iPod shuffle:

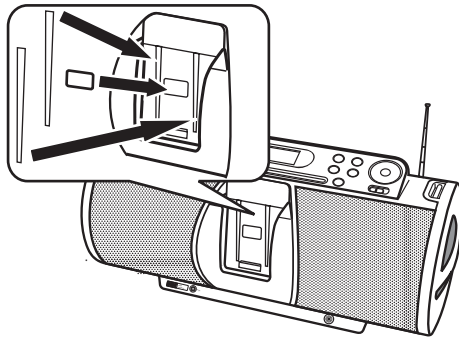
- 1 Asegúrese de que su boombox esté apagado.
- 2 Conecte el iPod shuffle en el conector para el iPod shuffle en el frente de su boombox.



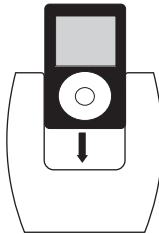
Todo otro iPod, incluyendo de video y fotografías

Para conectar el iPod:

- 1** Asegúrese de que su boombox esté apagado.
- 2** Retire el papel de protección de la parte posterior de las almohadillas de soporte de goma.
- 3** Coloque la almohadilla cuadrada en el centro de la ranura del iPod, luego coloque una almohadilla larga en cada uno de los rieles en la ranura del iPod.



- 4** Inserte el iPod en el soporte del iPod, con la pantalla orientada hacia afuera.



Para obtener información sobre cómo escuchar el iPod, consulte "Cómo escuchar todo otro iPod de audio" en la página 85.

Conexión de los auriculares

Advertencia

La acción de escuchar música con el volumen demasiado alto puede dañar sus oídos. Antes de conectar los auriculares, baje el volumen. Después de ponerse los auriculares, aumente gradualmente el volumen a un nivel cómodo.

Para conectar los auriculares:

- Conecte los auriculares (no incluidos) en el conector para auriculares en el frente de su boombox.

Uso de su boombox

Encendido y apagado de su boombox

Para encender y apagar su boombox:

- Presione **POWER** (alimentación) en su boombox o en el control remoto.

Ajuste de la hora

Para ajustar la hora:

- 1 Asegúrese de que su boombox esté apagado.
- 2 Presione y no suelte el botón **MEM/CLOCK ADJ** (Memoria/Ajustar Reloj) de su boombox o el botón **MEM/CLK SET** (Memoria/Ajustar Reloj) de su control remoto. Cuando aparezca 12 en la pantalla, suelte el botón.
- 3 Presione **◀◀** o **▶▶** en su boombox o en su control remoto para seleccionar el formato de visualización de horas (24 horas o 12 horas), luego presione **MEM/CLOCK ADJ** (Memoria/Ajustar Reloj) en su boombox o el botón **MEM/CLK SET** (Memoria/Ajustar Reloj) en su control remoto. **La hora parpadea en la pantalla.**



- 4 Presione **◀◀** o **▶▶** en su boombox o en su control remoto para seleccionar la hora, luego presione **MEM/CLOCK ADJ** (Memoria/Ajustar Reloj) en su boombox o el botón **MEM/CLK SET** (Memoria/Ajustar Reloj) en su control remoto. **Los minutos parpadean en la pantalla.**



- 5 Presione **◀◀** o **▶▶** en su boombox o en su control remoto para seleccionar los minutos, luego presione **MEM/CLOCK ADJ** (Memoria/Ajustar Reloj) en su boombox o el botón **MEM/CLK SET** (Memoria/Ajustar Reloj) en su control remoto.

Cómo escuchar la radio

Para escuchar la radio:

- 1 Asegúrese de que su boombox esté encendido.
- 2 Presione **FUNCTION** (Función) en su boombox o en el control remoto para seleccionar RADIO. La información de estación de radio aparece en la pantalla cuando se selecciona RADIO.
- 3 Presione **■** en su boombox o en su control remoto para seleccionar AM o FM. AM o FM aparece en la pantalla.
- 4 Presione **◀◀** o **▶▶** en su boombox o en el control remoto para seleccionar una estación de radio. Cuando usted suelta el botón, su boombox se sintoniza en la siguiente estación.
- 5 Si es necesario, presione los botones para subir o bajar el **VOLUMEN**, a fin de ajustar el volumen.
- 6 (Opcional) Presione **PRESET EQ** (Ecuualizador predefinido) en su boombox o el botón **EQ** (Ecuualizador) en su control remoto para seleccionar el modo de ecualizador. Puede seleccionar CLASSIC, JAZZ, ROCK o POP. El modo de ecualizador seleccionado por usted aparece en la pantalla.

Mejoramiento de la recepción

Para mejorar la recepción de radio:

- Recepción de AM – Gire su boombox hasta que se aclare la señal.
- Recepción de FM – Extienda la antena FM, y gírela hasta que se aclare la señal.

Programación de estaciones de radio

Se pueden programar 10 estaciones de FM y 10 estaciones de AM en la memoria.

Para programar una estación de radio:

- 1 Mientras escucha la radio, presione **◀◀** o **▶▶** en su boombox o en su control remoto para seleccionar una estación de radio.
- 2 Presione y no suelte el botón **MEM/CLOCK ADJ (Memoria/Ajustar Reloj)** en su boombox o el botón **MEM/CLK SET (Memoria/Ajustar Reloj)** en su control remoto. Cuando aparece P01 en la pantalla, suelte el botón.
- 3 Presione **◀◀** o **▶▶** en su boombox o en el control remoto para seleccionar el número que desea asignarle a la estación que ha seleccionado.
- 4 Presione **MEM/CLOCK ADJ** (Memoria/Ajustar Reloj) en su boombox o el botón **MEM/CLK SET** (Memoria/Ajustar Reloj) en su control remoto para guardar el ajuste en la memoria.
- 5 Repita los pasos 1 al 4 para programar más estaciones.

Cómo escuchar una estación programada

Para escuchar una estación programada

- Presione **▶||** o **REPEAT/M-DN** (Repetir/Memoria abajo) en su boombox o el botón **▶||** o **REPEAT/MEM DN** (Repetir/Memoria abajo) en su control remoto una o más veces para seleccionar el número de la estación programada que desea escuchar. El número que le asignó a la estación aparece en la pantalla.

Cómo escuchar un CD

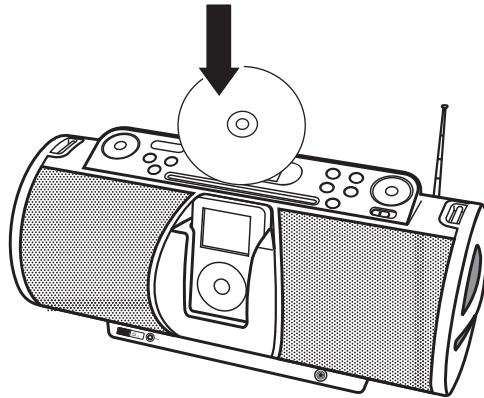
Nota

Además de CDs de audio, su boombox puede reproducir discos CD-R y CD-RW. Un disco CD-R o CD-RW debe ser finalizado antes de que se pueda reproducir.

Para reproducir un CD:

- 1 Asegúrese de que su boombox esté encendido.
- 2 Presione **FUNCTION** (Función) en su boombox o en el control remoto para seleccionar CD. -- aparece en la pantalla.

- 3 Inserte un CD en la ranura para CDs, con la etiqueta orientada hacia la pantalla.



- 4 Presione ►|| en su boombox o en el control remoto para comenzar la reproducción.
- 5 Si es necesario, presione los botones para subir o bajar el **VOLUMEN** en su boombox o control remoto, a fin de ajustar el volumen.
- 6 (Opcional) Presione **PRESET EQ** (Ecuualizador predefinido) en su boombox o el botón **EQ** (Ecuualizador) en el control remoto para seleccionar el modo de ecualizador. Puede seleccionar CLASSIC, JAZZ, ROCK o POP. El modo de ecualizador seleccionado por usted aparece en la pantalla.
- 7 Presione ■ en su boombox o en el control remoto para detener la reproducción.
- 8 Presione ▲ en su boombox o en el control remoto para retirar el CD.

Control de la reproducción del CD

Para controlar la reproducción del CD:

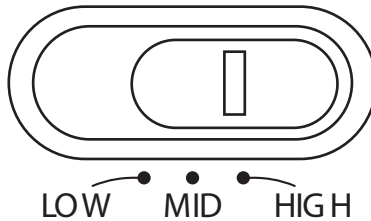
- Para pausar la reproducción, presione ►|| en su boombox o en el control remoto. Para reanudar la reproducción, presione nuevamente este botón.
- Para saltar a la pista siguiente, presione ►►| en su boombox o en el control remoto. Para saltar a la pista anterior, presione |◄◄ en su boombox o en el control remoto.

- Para buscar hacia delante a través de la canción actual, presione y no suelte el botón **▶▶** en su boombox o control remoto. Para buscar hacia atrás a través de la canción actual, presione y no suelte el botón **◀◀** en su boombox o control remoto.

Ajuste de los graves

Para ajustar los graves:

- Deslice el interruptor **DBBS** a la posición deseada. Puede seleccionar **LOW** (Bajo), **MID** (Medio) o **ALTO** (Alto).



Repetición de una pista o todo un CD

Para repetir sólo una pista:

- Mientras escucha la pista, presione una vez el botón **REPEAT/M-DN** (Repetir/Memoria abajo) en su boombox o control remoto. **REP** aparece en la pantalla.

Para repetir todo el CD:

- Mientras escucha el CD, presione dos veces el botón **REPEAT/M-DN** (Repetir/Memoria abajo) en su boombox o control remoto. **REP ALL** aparece en la pantalla.

Para cancelar la función de repetición:

- Si está repitiendo una pista, presione dos veces el botón **REPEAT/M-DN** (Repetir/Memoria abajo) en su boombox o control remoto.
- Si está repitiendo todo el CD, presione una vez el botón **REPEAT/M-DN** (Repetir/Memoria abajo) en su boombox o control remoto.

Nota

Puede usar la función de repetición cuando usted reproduce una lista de reproducción.

Programación de una lista de reproducción

Se puede programar una lista de reproducción de hasta 20 pistas o canciones.

Para programar una lista de reproducción:

- 1 Si está escuchando su boombox, presione ■ en su boombox o control remoto.
- 2 Presione **MEM/CLK ADJ** (Memoria/Ajustar Reloj) en su boombox o el botón **MEM/CLK SET** (Memoria/Ajustar Reloj) en el control remoto. El indicador PROG parpadea en la pantalla.



- 3 Presione ◀◀ o ▶▶ en su boombox o control remoto para seleccionar una pista o canción.
- 4 Presione **MEM/CLK ADJ** (Memoria/Ajustar Reloj) en su boombox o el botón **MEM/CLK SET** (Memoria/Ajustar Reloj) en el control remoto para guardar su elección.
- 5 Repita los pasos 2 a 4 para añadir pistas o canciones adicionales a su lista de reproducción.
- 6 Presione ▶|| en su boombox o control remoto para comenzar la reproducción.

Nota

Para editar o añadirle pistas o canciones a su lista de reproducción, siga los pasos para programar una lista de reproducción.

Para cancelar la lista de reproducción:

- Seleccione otra función.
-
- Expulse el CD.
-
- Apague su boombox.

Ajuste del temporizador

Para ajustar el temporizador:

- 1 Presione **TIMER** (Temporizador) en su boombox o control remoto. **TIMER ON** aparece en la pantalla.



- 2 Presione y no suelte el botón **TIMER** (Temporizador). Cuando la hora parpadea en la pantalla, suelte el botón.



- 3 Presione **◀◀◀** o **▶▶▶** en su boombox o control remoto para seleccionar la hora, luego presione **TIMER** (Temporizador). Los minutos parpadean en la pantalla.



- 4 Presione **◀◀◀** o **▶▶▶** en su boombox o control remoto para seleccionar los minutos, luego presione **TIMER** (Temporizador).
- 5 Para salir del modo temporizador, repita los pasos 3 y 4 para ajustar el temporizador a **TIMER OFF** (Temporizador apagado), o presione dos veces el botón **TIMER** (Temporizador).

Nota

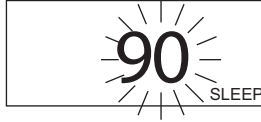
TIMER aparece en la pantalla después de ajustar el temporizador.

- 6 Para cancelar el temporizador, presione y no suelte el botón **TIMER** (Temporizador) hasta que el indicador **TIMER** desaparezca de la pantalla.

Ajuste del temporizador de apagado automático

Para configurar el temporizador de apagado automático:

- 1 Presione **SLEEP** (Apagado automático) en su boombox o control remoto. El indicador **SLEEP** (Apagado automático) aparece en la pantalla.



- 2 Presione **SLEEP** (Apagado automático) una o más veces para seleccionar la cantidad de tiempo que usted quiere que su boombox espere antes de que éste se apague automáticamente. Puede seleccionar entre 90 y 10 minutos.
- 3 Para cancelar el temporizador de apagado automático, presione y no suelte el botón **SLEEP** (Apagado automático) hasta que el indicador **SLEEP** desaparezca de la pantalla.

Cómo escuchar el iPod shuffle

Nota

La pila del iPod shuffle se cargará mientras éste está conectado a su boombox.

Para escuchar el iPod shuffle:

- 1 Asegúrese de que su boombox esté apagado.
- 2 Conecte el iPod shuffle en su boombox.
- 3 Encienda su boombox.
- 4 Presione **FUNCTION** (Función) una o más veces en su boombox o control remoto hasta que el indicador **AUX** aparezca en la pantalla.
- 5 Use los controles en el iPod shuffle para controlar la reproducción.
- 6 Si es necesario, presione los botones para subir o bajar el **VOLUMEN** en su boombox o control remoto, a fin de ajustar el volumen.

Cómo escuchar todo otro iPod de audio

Para escuchar el iPod:

- 1 Asegúrese de que el soporte del iPod esté instalado.
- 2 Asegúrese de que su boombox esté apagado, luego inserte el iPod en el soporte..
- 3 Encienda su boombox.
- 4 Presione **iPOD** en su boombox o control remoto.
- 5 Presione ►|| en su boombox o control remoto para comenzar la reproducción.
- 6 Si es necesario, presione los botones para subir o bajar el **VOLUMEN** en su boombox o control remoto, a fin de ajustar el volumen.
- 7 (Opcional) Presione **PRESET EQ** (Ecuualizador predefinido) en su boombox o el botón **EQ** (Ecuualizador) en el control remoto para seleccionar el modo de ecualizador. Puede seleccionar CLASSIC, JAZZ, ROCK o POP. El modo de ecualizador seleccionado por usted aparece en la pantalla.

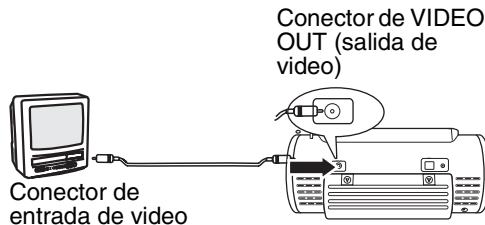
Consejo

Use los botones ►|| y ◀◀◀ o ▶▶▶ para controlar la reproducción del iPod

Cómo ver videos o fotografías almacenados en un iPod

Para ver videos o fotografías almacenados en un iPod:

- 1 Asegúrese de que el soporte del iPod NO esté instalado.
- 2 Asegúrese de que su boombox esté apagado, luego inserte el iPod en la ranura para el iPod. El soporte no es necesario para ver video de un iPod.
- 3 Conecte un cable de video (no incluido) en el conector VIDEO OUT (salida de video) en la parte posterior de su boombox.



- 4 Conecte el otro extremo del cable de video en el conector de Entrada de video de su aparato de video.
- 5 Encienda su boombox.
- 6 Presione **iPOD** en su boombox.
- 7 Presione **▶||** en su boombox o control remoto para comenzar la reproducción.
- 8 Si es necesario, presione los botones para subir o bajar el **VOLUMEN** en su boombox o control remoto, a fin de ajustar el volumen.
- 9 (Opcional) Presione **PRESET EQ** (Ecuador predefinido) en su boombox o el botón **EQ** (Ecuador) en su control remoto para seleccionar el modo de ecualizador. Puede seleccionar **CLASSIC**, **JAZZ**, **ROCK** o **POP**. El modo de ecualizador seleccionado por usted aparece en la pantalla.

Consejo

Para controlar la reproducción del iPod, se usan los mismos controles que sirven para controlar la reproducción de un CD. Para obtener más información, consulte "Control de la reproducción del CD" en la página 80.

Carga de la pila del iPod

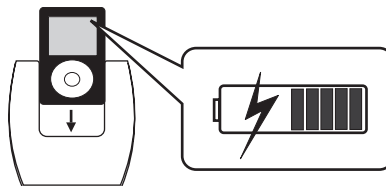
Nota

La pila del iPod shuffle se cargará mientras éste está conectado a su boombox.

Para cargar la pila del iPod:

- 1 Asegúrese de que haya instalado el soporte de iPod correcto en la ranura para iPod de su boombox.
- 2 Encienda su iPod.
- 3 Inserte el iPod en el soporte, con la pantalla orientada hacia afuera.

Cuando se inserta el iPod, este When you insert the iPod, éste entra al modo Standby (modo de espera), luego se apaga. El indicador de pila cargando aparece en la pantalla del iPod.



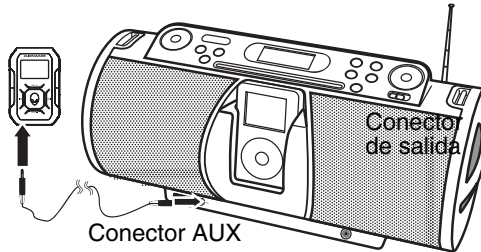
Cómo escuchar otros dispositivos de audio portátiles

Nota

No se puede usar el control remoto para controlar la reproducción en un dispositivo de audio. En lugar, use los controles del dispositivo de audio.

Para escuchar otro dispositivo de audio portátil:

- 1 Asegúrese de que su boombox esté apagado.
- 2 Conecte un extremo del cable de entrada de línea auxiliar (incluido) en el conector AUX en la parte posterior de su boombox.



- 3 Enchufe el otro extremo del cable en el conector de salida de línea en el dispositivo de audio.
- 4 Encienda su boombox.
- 5 Presione **FUNCTION** (Función) una o más veces en su boombox o control remoto hasta que el indicador AUX aparezca en la pantalla.
- 6 Use los controles en el dispositivo de audio para controlar la reproducción.

Localización y corrección de fallas

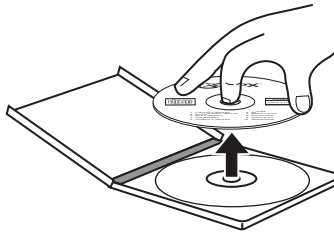
Problema	Causa probable	Solución probable
No hay sonido.	Su boombox no está enchufado.	Asegúrese de que el cable de alimentación está conectado en un tomacorriente o reemplace las pilas.
	No se puede comenzar la reproducción.	Presione ►II.
	El modo de reproducción no es el modo correcto.	Presione FUNCTION (Función) para seleccionar el modo de reproducción correcto.
	El control de VOLUMEN se encuentra en el nivel mínimo.	Suba el volumen.
Hay un CD insertado, pero no se muestran las pistas.	El CD está insertado incorrectamente.	Asegúrese de que el CD esté insertado con la etiqueta orientada hacia la pantalla.
	El CD está sucio.	Limpie el CD. Para obtener más información, consulte "Limpieza de los CD" en la página 90.
	El CD está rayado o doblado.	Pruebe con otro CD.
	Se ha formado humedad dentro del reproductor de CD.	Extraiga el CD, deje abierta la puerta del CD durante aproximadamente una hora para que se seque.

Problema	Causa probable	Solución probable
Ciertas secciones de un CD no se reproducen normalmente.	El CD está sucio.	Limpie el CD. Para obtener más información, consulte "Limpieza de los CD" en la página 90.
	El CD está rayado.	Sáltese las secciones rayadas o reemplace el CD.

Mantenimiento

Cómo manipular los CD

- Para sacar un CD de su estuche, sosténgalo por los bordes mientras presiona ligeramente sobre el agujero central.



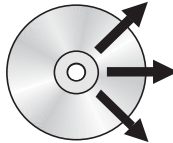
- No toque la superficie brillante del CD ni lo doble.
- Coloque el disco en la bandeja con la etiqueta hacia arriba.

Limpieza de los CD

Puede ser que un CD sucio no funcione correctamente.

Para limpiar un CD:

- Con un paño suave, limpie el CD avanzando en línea recta desde el centro hacia el borde exterior.

**Precaución**

No utilice ningún solvente, tal como un rociador para discos, diluyente, o benceno para limpiar un CD.

Limpieza de su boombox

Para limpiar su boombox, siga estas guías:

- Use un paño suave limpio y humedecido con agua templada para limpiar el exterior de su boombox.
- Nunca utilice solventes como benceno u otros limpiadores químicos fuertes ya que estos pueden dañar el acabado de su boombox.
- No permita que líquido gotee dentro de su boombox.

Avisos legales

FCC Parte 15

Este dispositivo satisface la parte 15 del reglamento FCC. La operación de este producto está sujeta a las dos condiciones siguientes: (1) Este dispositivo no puede causar interferencia dañina, y (2) este dispositivo debe aceptar cualquier interferencia recibida incluyendo interferencias que puedan causar una operación no deseada.

Este equipo ha sido sometido a prueba y se ha determinado que satisface los límites establecidos para ser clasificado como dispositivo digital de la Clase B de acuerdo con la Parte 15 del reglamento FCC. Estos límites se han establecido para proporcionar una protección razonable contra interferencias perjudiciales en una instalación residencial. Este equipo genera, usa y puede emitir energía de radiofrecuencia. Si no se instala y usa de acuerdo con las instrucciones, este aparato puede causar interferencias perjudiciales a las comunicaciones de radio. Sin embargo, no se garantiza que no ocurrirá interferencia en una instalación particular. Si el equipo causa interferencias perjudiciales en la recepción de la señal de radio o televisión, lo cual puede comprobarse encendiéndolo y apagándolo alternativamente, se recomienda al usuario corregir la interferencia mediante uno de los siguientes procedimientos:

- Cambie la orientación o la ubicación de la antena receptora.
- Aumente la distancia entre el equipo y el receptor.
- Conecte el equipo a un tomacorriente de un circuito distinto de aquel al que está conectado el receptor.
- Solicite consejo al distribuidor o a un técnico calificado para obtener ayuda.

Advertencia de la FCC

Cualquier cambio o modificación que no esté aprobado expresamente por la parte responsable por el cumplimiento con el reglamento de FCC puede anular la autoridad del usuario para operar el equipo.

Declaración del ICES-003 de Canadá

Este aparato digital de Clase B cumple con el ICES-003 canadiense.

Derechos de reproducción

© 2007 Insignia. Insignia y el logotipo de Insignia son marcas de comercio de Best Buy Enterprise Services, Inc. Otras marcas y nombres de productos son marcas comerciales o marcas registradas de sus dueños respectivos. Las especificaciones y características están sujetas a cambio sin aviso previo u obligación.

Para reparación y soporte llamar al (877) 467-4289.

iPod es una marca comercial de Apple Computer, Inc. registrada en los Estados Unidos y otros países

Garantía limitada de 90 días

Insignia Products (“Insignia”) le garantiza a usted, el comprador original de este nuevo **NS-B2114W** (“Producto”), que éste se encontrará libre de defectos de material o de mano de obra en su fabricación original por un período de 90 (noventa) días a partir de la fecha de compra del Producto (“Período de Garantía”). Este producto debe ser comprado en un distribuidor autorizado de productos de la marca Insignia y empaçado con esta declaración de garantía. Esta garantía no cubre Productos reacondicionados. Si notifica a Insignia durante el Período de Garantía sobre un defecto cubierto por esta garantía que requiere reparación, los términos de esta garantía se aplican.

¿Cuánto dura la garantía?

El Período de Garantía dura por 90 (noventa) días a partir de la fecha en que compró el Producto. La fecha de compra se encuentra impresa en el recibo que recibió con el Producto.

¿Qué es lo que cubre esta garantía?

Durante el Período de Garantía, si un centro de reparación autorizado de Insignia concluye que la fabricación original del material o la mano de obra del Producto se encuentran defectuosos, Insignia (cómo su opción exclusiva): (1) reparará el Producto con repuestos nuevos o reacondicionados; o (2) reemplazará el Producto sin cargo con uno nuevo o con uno reacondicionado con repuestos equivalentes. Los Productos y repuestos reemplazados bajo esta garantía se volverán propiedad de Insignia y no se le regresarán a usted. Si se requiere la reparación de Productos o partes después de que se vence el Período de Garantía, usted deberá pagar todos los costos de mano de obra y de repuestos. Esta garantía estará vigente con tal que usted sea el dueño de su Producto Insignia durante el período de garantía. El alcance de la garantía se termina si usted vende o transfiere el Producto.

¿Cómo se obtiene la reparación de garantía?

Si ha comprado el Producto en una tienda de ventas, lleve su recibo original y el Producto a la tienda en donde lo compró. Asegúrese de que vuelva a colocar el Producto en su empaque original o en un empaque que provea la misma protección que el original. Si compró el Producto en un sitio Web, envíe por correo su recibo original y el Producto a la dirección postal listada en el sitio Web. Asegúrese de colocar el Producto en su empaque original o en un empaque que provea la misma protección que el original.

¿En dónde es válida la garantía?

Esta garantía sólo es válida al comprador original del Producto en los Estados Unidos y en Canadá.

¿Qué es lo que no cubre la garantía?

Esta garantía no cubre:

- Formación del cliente
- Instalación
- Ajuste de configuración
- Daños cosméticos
- Daños debido a actos de la naturaleza, tal cómo rayos
- Accidentes
- Mal uso
- Abuso
- Negligencia

Uso comercial

Modificación de alguna parte del Producto, incluyendo la antena

Esta garantía tampoco cubre:

- Daño debido al uso o mantenimiento incorrecto
- La conexión a una fuente de voltaje incorrecta
- El intento de reparación por alguien que no sea una compañía autorizada por Insignia para reparar el Producto
- Productos vendidos tal cual (en el estado en que se encuentran) o con todas sus fallas
- Productos consumibles, tal cómo fusibles o baterías
- Productos en los cuales el número de serie asignado en la fábrica ha sido alterado o removido.

LA REPARACIÓN O REEMPLAZO SEGÚN LO PROVISTO BAJO ESTA GARANTÍA ES SU ÚNICO RECURSO. INSIGNIA NO SERÁ RESPONSABLE POR DAÑOS INCIDENTALES O CONSECUENTES DEBIDO AL INCUMPLIMIENTO DE CUALQUIER GARANTÍA EXPRESA O IMPLÍCITA RELACIONADA CON ESTE PRODUCTO, INCLUYENDO, PERO SIN LIMITARSE A ELLO, PÉRDIDA DE DATOS, IMPOSIBILIDAD DE USO DE SU PRODUCTO, PÉRDIDA DE NEGOCIO O LUCRO CESANTE. INSIGNIA NO CONCEDE NINGUNA OTRA GARANTÍA EXPRESA CON RESPECTO AL PRODUCTO; TODAS LAS GARANTÍAS EXPRESAS E IMPLÍCITAS DE ESTE PRODUCTO, INCLUYENDO PERO SIN LIMITARSE A, CUALQUIER GARANTÍA IMPLÍCITA DE O CONDICIONES DE COMERCIALIZACIÓN O IDONEIDAD PARA UN USO PARTICULAR, ESTÁN LIMITADAS EN DURACIÓN AL PERÍODO DE GARANTÍA DECLARADO ANTERIORMENTE Y NINGUNA GARANTÍA YA SEA EXPRESA O IMPLÍCITA SE APLICARÁ DESPUÉS DEL PERÍODO DE GARANTÍA. ALGUNOS ESTADOS, PROVINCIAS Y JURISDICCIONES NO PERMITEN RESTRICCIONES EN CUANTO A LA DURACIÓN DE UNA GARANTÍA IMPLÍCITA, ASÍ QUE LA RESTRICCIÓN ANTERIOR PUEDE NO APLICARSE EN SU CASO. ESTA GARANTÍA LE DA DERECHOS LEGALES ESPECÍFICOS, Y USTED PUEDE POSEER OTROS DERECHOS QUE VARIAN DE ESTADO A ESTADO, O PROVINCIA A PROVINCIA.

Comuníquese con Insignia:

Para servicio al cliente favor llamar al 1-877-467-4289

www.insignia-products.com

INSIGNIA™ es una marca comercial de Best Buy Enterprise Services, Inc.

Distribuido por Best Buy Purchasing, LLC.

Insignia, 7601 Penn Avenue South, Richfield, Minnesota, U.S.A.



www.insignia-products.com (877) 467-4289

Distributed by Best Buy Purchasing, LLC
7601 Penn Avenue South, Richfield, MN USA 55423-3645
© 2007 Best Buy Enterprise Services, Inc.

All rights reserved. INSIGNIA is a registered trademark of Best Buy Enterprise Services, Inc.
All other products and brand names are trademarks of their respective owners.

Distribué par Best Buy Purchasing, LLC
7601 Penn Avenue South, Richfield, MN USA 55423-3645
© 2007 Best Buy Enterprise Services, Inc.

Tous droits réservés. INSIGNIA est une marque déposée de Best Buy Enterprise Services, Inc.
Tous les autres produits ou noms de marques sont des marques de commerce qui appartiennent à leurs propriétaires respectifs.

Distribuido por Best Buy Purchasing, LLC
7601 Penn Avenue South, Richfield, MN USA 55423-3645
© 2007 Best Buy Enterprise Services, Inc.

Todos los derechos reservados. INSIGNIA es una marca registrada de Best Buy Enterprise Services, Inc.
Todos los demás productos y marcas son marcas comerciales de sus respectivos dueños.